

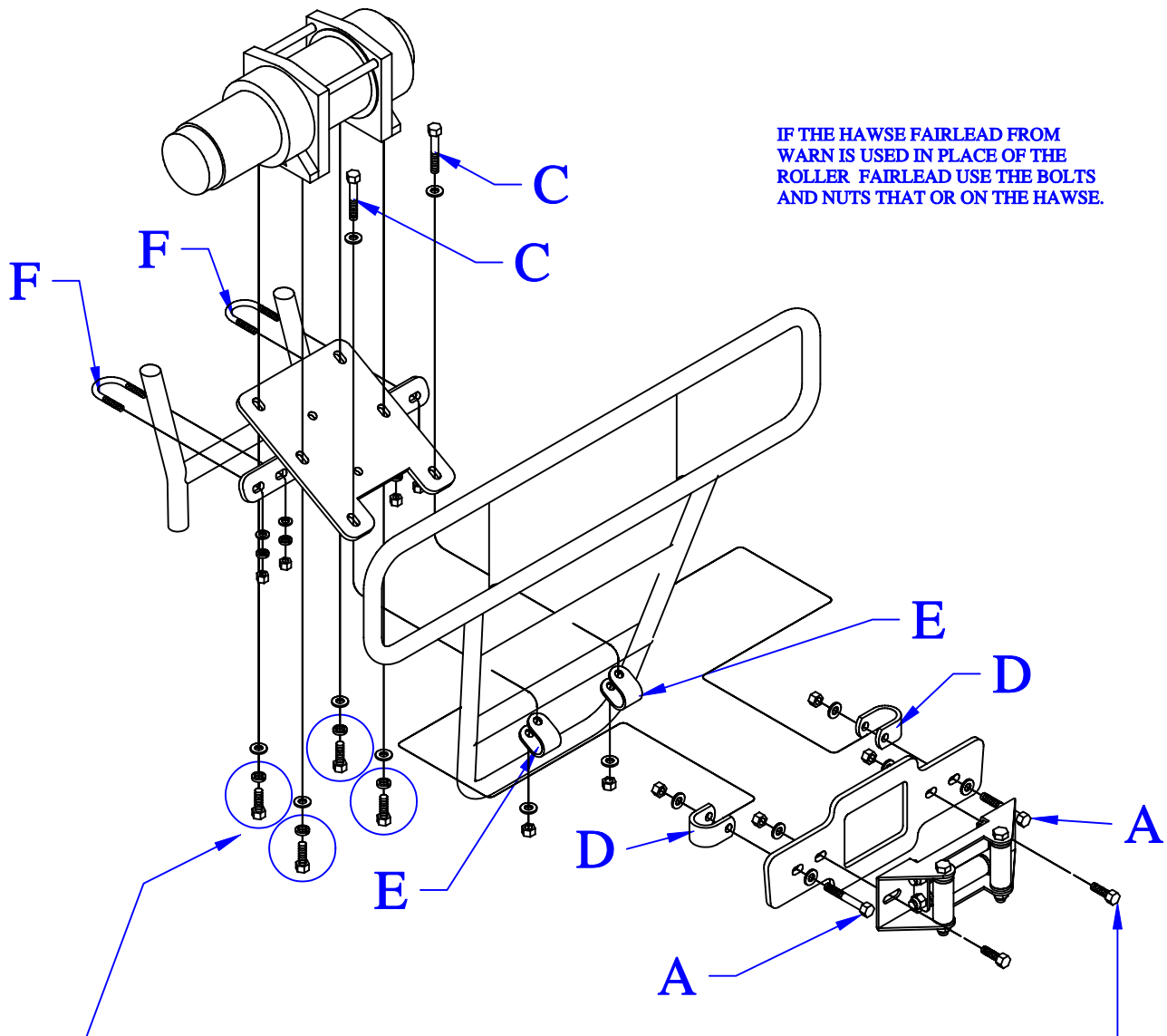


- 2 = 5/16 x 2 Bolts = C
- 2 = 5/16 x 2 1/4 Bolts = A
- 2 = 1/4 x 3/4 U-Bolts = F
- 4 = 1/4 SAE Flat Washers
- 4 = 1/4 Lock Washers
- 4 = 1/4 Nut
- 4 = 5/16 Lock Nuts
- 12 = 5/16 SAE Flat Washers
- 2 = 1/8 x 1 x 3/4 Long Round Oval Clip = E
- 2 = 3/16 x 1 x 1 Round Clip = D

THIS PLATE IS DESIGNED TO FIT THE RAMSEY 2500LB, AND ALSO THE WARN 2000LB , 2500LB WINCHES. RAMSEY'S WINCH IS SUPPLIED WITH A ROLLER FAIRLEAD. THE WARN WILL COME WITH A HAWSE FAIRLEAD. THIS DEPENDS ON THE WINCH THAT IS PURCHASED. BOTH THE ROLLER OR HAWSE FAIRLEAD WILL MOUNT IN THAT SPECIFIC POSITION.

298014-R30

KAWASAKI 300 BAYOU 4X4



IF THE HAWSE FAIRLEAD FROM WARN IS USED IN PLACE OF THE ROLLER FAIRLEAD USE THE BOLTS AND NUTS THAT OR ON THE HAWSE.

These washers and bolts comes with the winch.