



- 2=1/4 X 1 U-BOLTS-A
- 4=1/4 LOCK NUTS-B
- 4=1/4 USS WASHERS-C
- 4=5/16 X 1 BOLTS-D
- 4=5/16 LOCK NUTS-E
- 8=5/16 SAE WASHERS-F

IF THE WARN RT25 IS USED MUST USE THE METRIC BOLTS THAT ARE SUPPLIED WITH THE HARDWARE IN THE BAG WITH THE WINCH. THESE BOLTS ARE USED TO MOUNT THE WINCH TO THE PLATE.

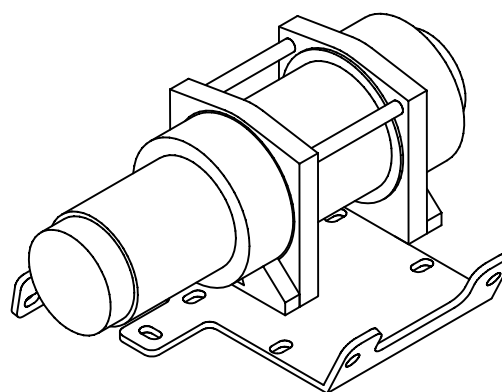
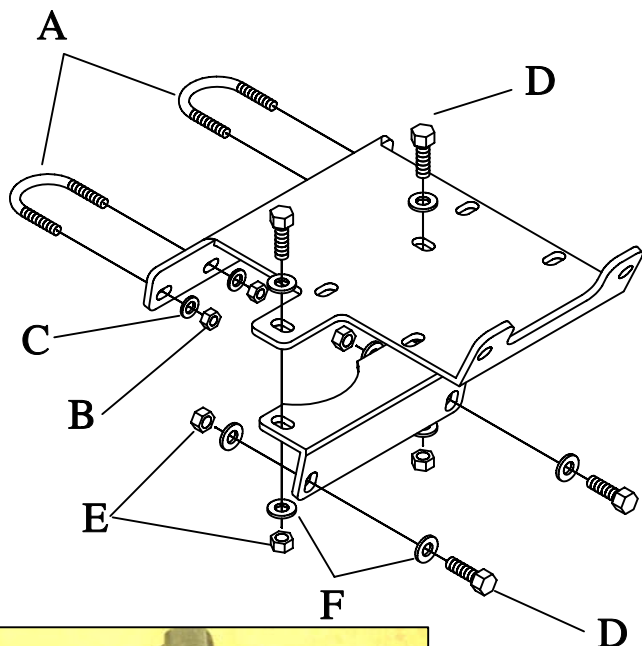
IF THE HAWSE FAIRLEAD FROM WARN IS USED IN PLACE OF THE ROLLER FAIRLEAD USE THE BOLTS AND NUTS THAT OR ON THE HAWS.

**THIS PLATE IS DESIGNED TO FIT THE RAMSEY 2500LB, AND ALSO THE WARN 2000LB , 2500LB 3000LB WINCHES.**

RAMSEY'S WINCH IS SUPPLIED WITH A ROLLER FAIRLEAD. THE WARN WILL COME WITH A HAWSE FAIRLEAD. THIS DEPENDS ON THE WINCH THAT IS PURCHASED. BOTH THE ROLLER OR HAUS FAIRLEAD WILL MOUNT IN THAT SPECIFIC POSITION.

# #298015-R57

KAW. 700 4X4 / KAW. 650 4X4 / SUZ TWP 700 4X4



1ST STEP REMOVE THE SPLASH PANEL FROM THE RIGHT SIDE LOOKING AT THE BIKE. REPLACE THIS AFTER INSTALLING THE WINCH.

3RD STEP MOUNT THE SMALL BRACKET TO THE FRAME.



2ND STEP REMOVE THE SPLASH PANEL FROM UNDER THE RADIATOR YOU WILL LEAVE THIS OFF.

4TH STEP MOUNT THE WINCH PLATE TO THE FRAME AS THE PIC. SHOWS.

