



- 4=1/4X11/4 BOLTS-A
- 4=5/16 USS WASHERS-B
- 3=5/16X1 BOLTS-C
- 2=5/16X11/4 BOLTS-D
- 1=5/16 LOCK NUTS-E
- 4=1/4 SAE WASHERS-F
- 4=1/4 U CLIPS-G

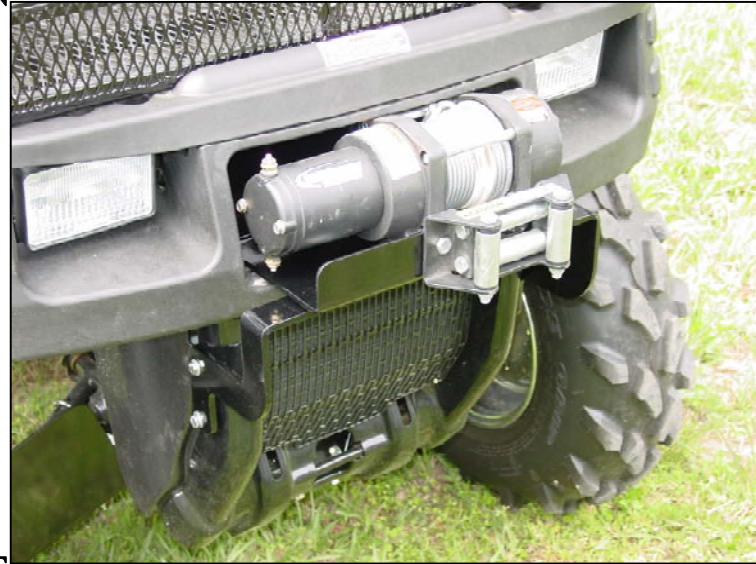
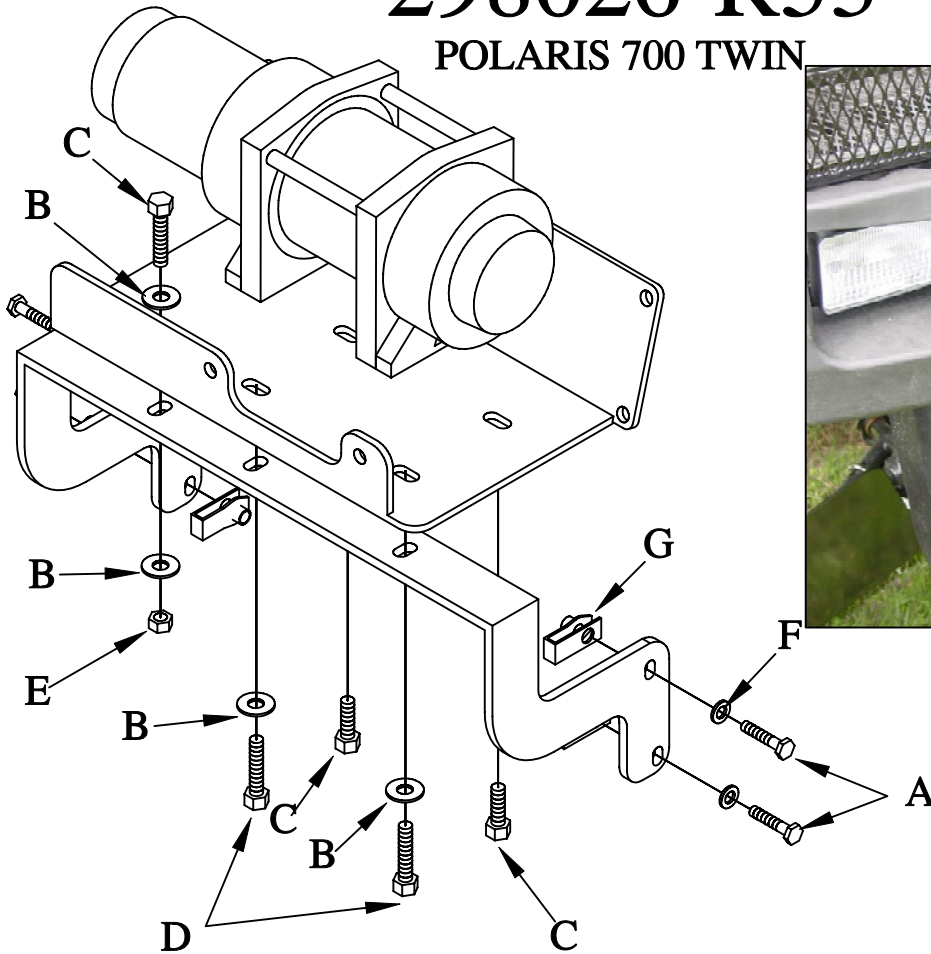
THIS PLATE IS DESIGNED TO FIT THE RAMSEY 2500LB AND ALSO THE WARN 2000LB , 2500 WINCHES.

RAMSEY'S WINCH IS SUPPLIED WITH A ROLLER FAIRLEAD. THE WARN WILL COME WITH A HAWSE FAIRLEAD. THIS DEPENDS ON THE WINCH THAT IS PURCHASED. BOTH THE ROLLER OR HAWSE FAIRLEAD WILL MOUNT IN THAT SPECIFIC POSITION.

298026-R53

POLARIS 700 TWIN

IF THE HAWSE FAIRLEAD FROM WARN IS USED IN PLACE OF THE ROLLER FAIRLEAD USE THE BOLTS AND NUTS THAT OR ON THE HAWSE.



1ST STEP REMOVE THE TOP COMPOSITE RACK TO BE ABLE TO GET TO THE TWO BLACK SCREWS THAT HOLE THE MIDDLE SECTION PLATE THAT IS CENTERED ON THE COMPOSITE BUMPER. THE SCREWS ARE LOCATED UNDER THE METAL UNDER CARRIAGE OF THE TOP RACK.

2ND STEP ONCE IT IS REMOVED REMOVE THE YELLOWED COLORED BOLTS THAT HOLD THE BUMPER TO THE FRAME, THEN MOUNT THE WINCH TO THE PLATE WITH THE BACK BOLTS (C) 5/16X1 BOLTS NO WASHERS.

3RD STEP PLACE THE PLATE INTO THE HOLE OF THE BUMPER THEN RUN THE YELLOWED COLORED BOLTS THROUGH THE PLATE BACK THROUGH THE BUMPER INTO THE FRAME, REPLACE THE BOLTS WITH WASHERS AS THE WERE.

4TH STEP REMOVE THE PLASTIC RADIATOR GUARDS THEN REMOVE THE TOP TWO YELLOWED COLORED CLIPS AND REPLACE THEM WITH THE CLIPS THAT ARE SUPPLIED (G) AT THE TOP OF PAGE.

5TH STEP MOUNT THE SUPPORT BRACKET INTO PLACE AS THE PICTURE ILLUSTRATES .

LEAVE ALL BOLTS FINGER TIGHT UNTIL ALL THE BOLTS HAVE BEEN STARTED IN POSITION THE TIGHTEN TO SPECS.