

STRONG SM MADE™

BY SAVANT MANUFACTURING, INC.

www.savantmfg.com

4=5/16X1 BOLTS
4=5/16 LOCK NUTS
8=5/16 SAE WASHERS

THIS PLATE IS DESIGNED TO FIT THE RAMSEY 2500LB AND ALSO THE WARN 2000LB , 2500LB WINCHES. RAMSEY'S WINCH IS SUPPLIED WITH A ROLLER FAIRLEAD. THE WARN WILL COME WITH A HAWSE FAIRLEAD. THIS DEPENDS ON THE WINCH THAT IS PURCHASED. BOTH THE ROLLER OR HAWSE FAIRLEAD WILL MOUNT IN THAT SPECIFIC POSITION.

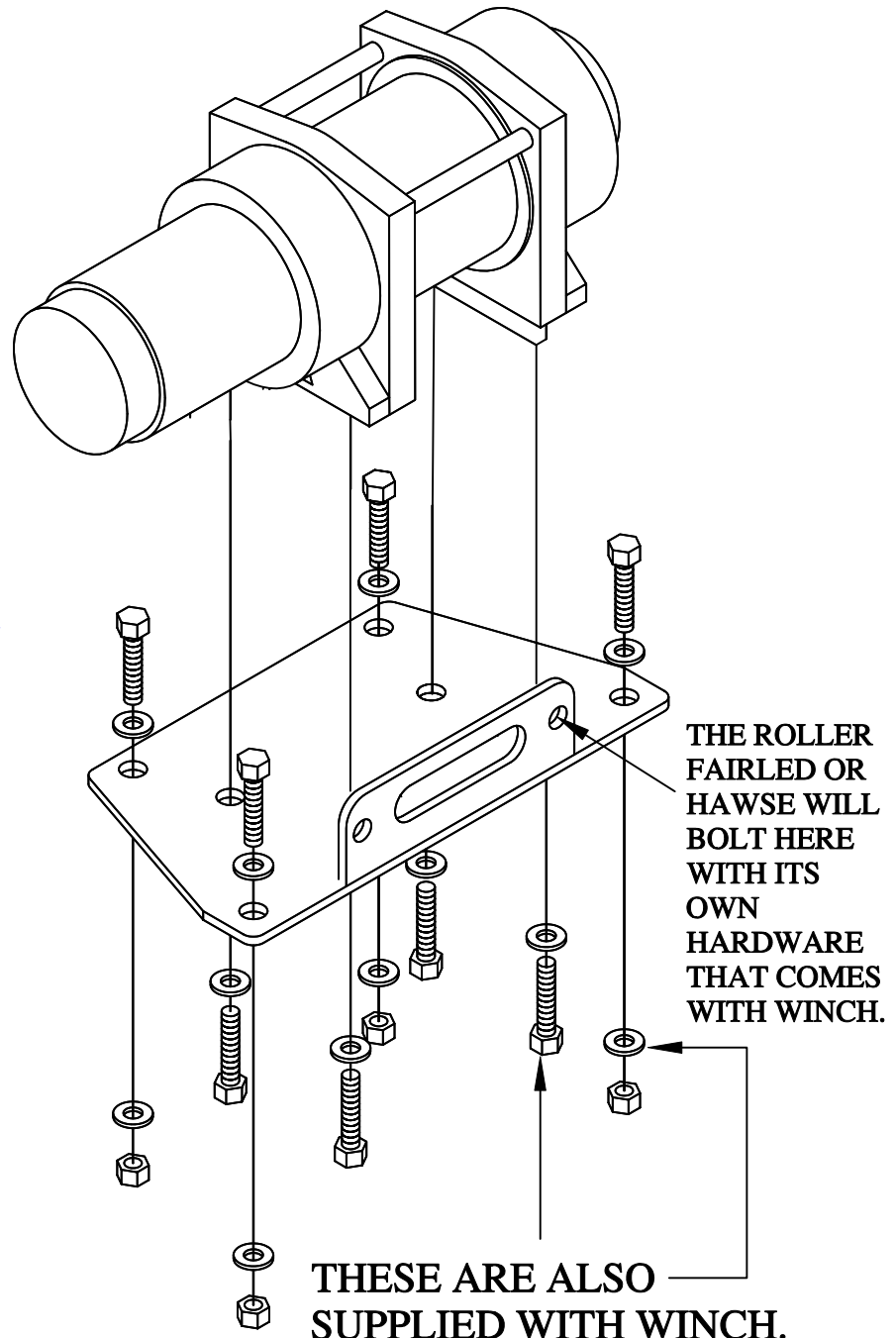
298034-R35

YAMAHA BIG BEAR 400 2X4 4X4

IF THE WARN RT25 IS USED MUST USE THE METRIC BOLTS THAT ARE SUPPLIED WITH THE HARDWARE IN THE BAG WITH THE WINCH. THESE BOLTS ARE USED TO MOUNT THE WINCH TO THE PLATE.

IF THE HAUS FAIRLEAD FROM WARN IS USED IN PLACE OF THE ROLLER FAIRLEAD USE THE BOLTS AND NUTS THAT OR ON THE HAUS.

USEING THE 5/16X1 BOLTS & THE 5/16 WASHERS & 5/16 LOCK NUTS.THE WK35 WILL MOUNT TO THE FOUR WELDED BRACKETS BEHIND THE FRONT TUBULAR BUMMPER. THE WINCH WILL SIT ON TOP OF THE PLATE THEN MUST BOLT FROM THE BOTTOM OF THE WINCH PLATE USEING THE WINCH HARDWARE LIKE PICTURE SHOWS.



SAVANT'S MFG PH. # 1-800-326-6880

EMAIL ADDRESS www.savantmfg.com