

8=5/16 LOCK WASHERS

8=5/16 USS WASHERS

8=5/16 NUTS

4=5/16X1 1/4 U-BOLTS

4=5/16 SAE

4=5/16X1 1/4 BOLTS

2=5/16 USS WASHERS

2=5/16X1 1/2 BOLTS

IF THE HAWSE FAIRLEAD FROM  
WARN IS USED IN PLCE OF THE  
ROLLER FAIRLEAD USE THIS HARDWARE.

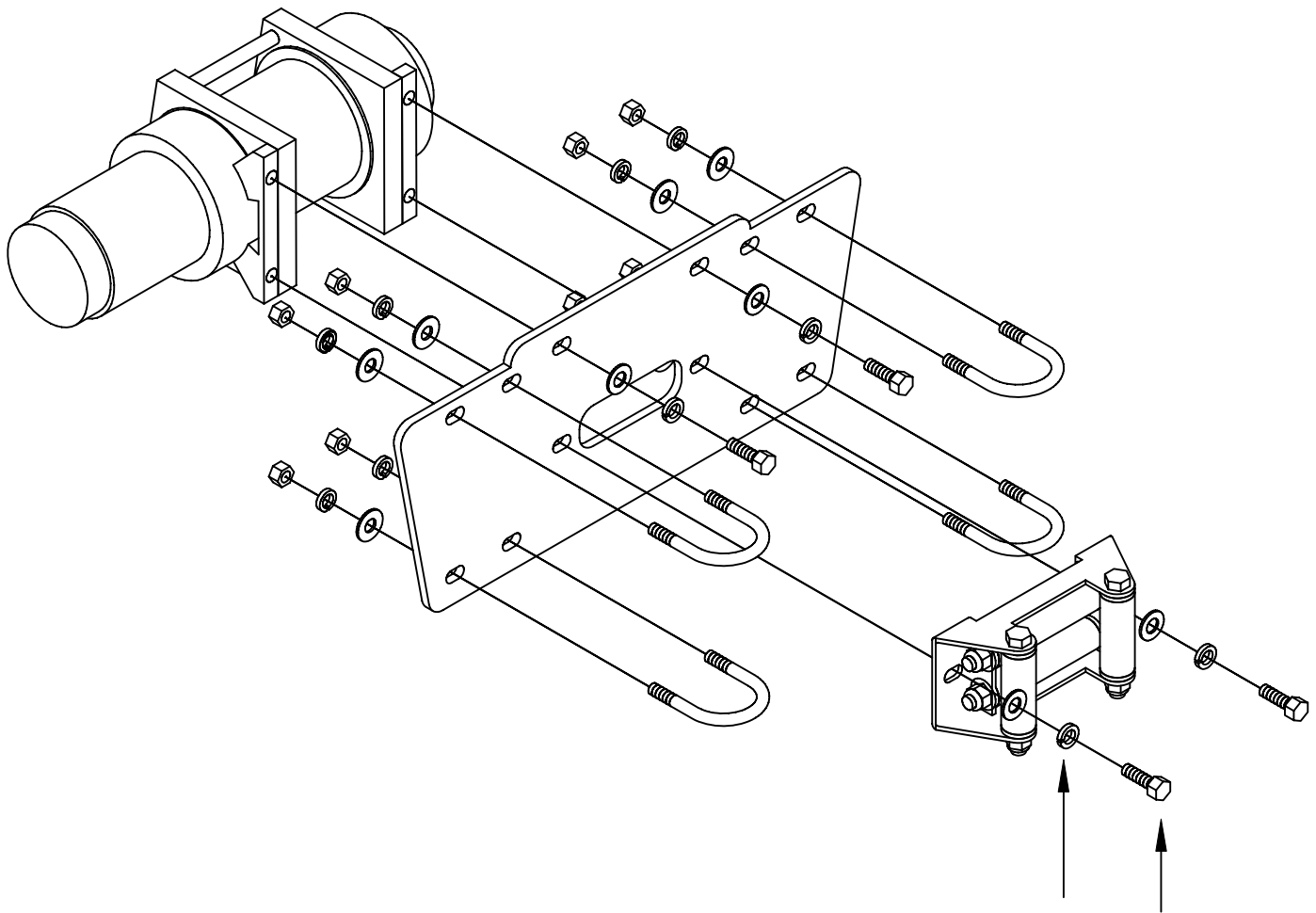


**THIS PLATE IS DESIGNED TO FIT THE RAMSEY 2500LB  
AND ALSO THE WARN 2000LB , 2500LB WINCHES.**

RAMSEY'S WINCH IS SUPPLIED WITH A ROLLER  
FAIRLEAD. THE WARN WILL COME WITH A HAWSE  
FAIRLEAD. THIS DEPENDS ON THE WINCH THAT IS  
PURCHASED. BOTH THE ROLLER OR HAWSE FAIRLEAD  
WILL MOUNT IN THAT SPECIFIC POSITION.

# 298036-R28

YAMAHA GRIZZLY 600 4X4



5/16X1 1/4 BOLTS  
5/16 SAE WASHERS