

STRONG MADE

BY SAVANT MANUFACTURING, INC.
www.savantmfg.com

THIS PLATE IS DESIGNED TO FIT THE RAMSEY 2500LB AND ALSO THE WARN 2000LB , 2500LB WINCHES.

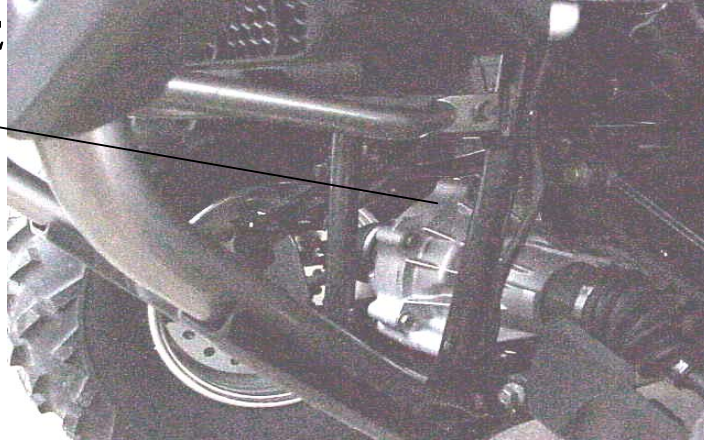
RAMSEY'S WINCH IS SUPPLIED WITH A ROLLER FAIRLEAD. THE WARN WILL COME WITH A HAWSE FAIRLEAD. THIS DEPENDS ON THE WINCH THAT IS PURCHASED. BOTH THE ROLLER OR HAWSE FAIRLEAD WILL MOUNT IN THAT SPECIFIC POSITION.

298039-R40 2002 GRIZZLY 660

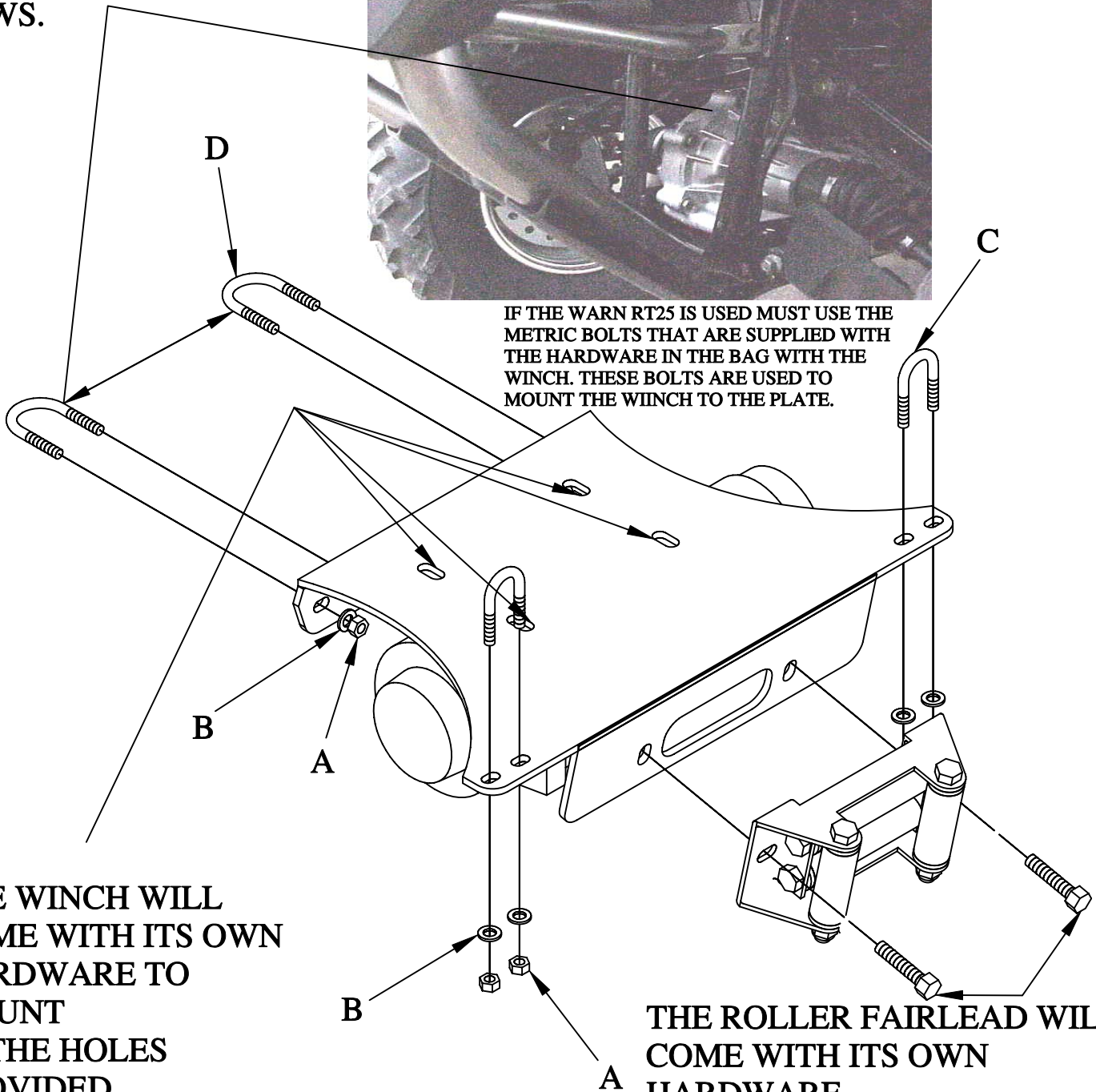
- A-1/4 LOCK NUTS=8
- B-1/4 SAE WASHERS=8
- C-1/4X3/8 U-BOLTS=2
- D-1/4X3/4 U-BOLTS=2

IF THE HAWSE FAIRLEAD FROM WARN IS USED IN PLACE OF THE ROLLER FAIRLEAD USE THE BOLTS AND NUTS THAT OR ON THE HAWSE.

THESE U-BOLT WILL BOLT TO THE FRAME AS PICTURE SHOWS.



IF THE WARN RT25 IS USED MUST USE THE METRIC BOLTS THAT ARE SUPPLIED WITH THE HARDWARE IN THE BAG WITH THE WINCH. THESE BOLTS ARE USED TO MOUNT THE WINCH TO THE PLATE.



THE WINCH WILL COME WITH ITS OWN HARDWARE TO MOUNT IN THE HOLES PROVIDED IN THE PLATE.

THE ROLLER FAIRLEAD WILL COME WITH ITS OWN HARDWARE.

IT IS INCLUDED IN THE WINCH.

SAVANT'S MFG PH. # 1-800-326-6880

EMAIL ADDRESS www.savantmfg.com