



- 2=1/8X1X3/4 RCL-A
- 2=5/16X2 BOLTS-B
- 2=5/16 USS WASHERS-C
- 2=5/16 LOCK NUTS-D
- 2=1/4X1/2 U-BOLTS-E
- 4=1/4 LOCK NUTS-F
- 4=1/4 SAE WASHERS-G
- 2=5/16 SAE WASHERS-H

THIS PLATE IS DESIGNED TO FIT THE RAMSEY 2500LB AND ALSO THE WARN 2000LB , 2500LB WINCHES.

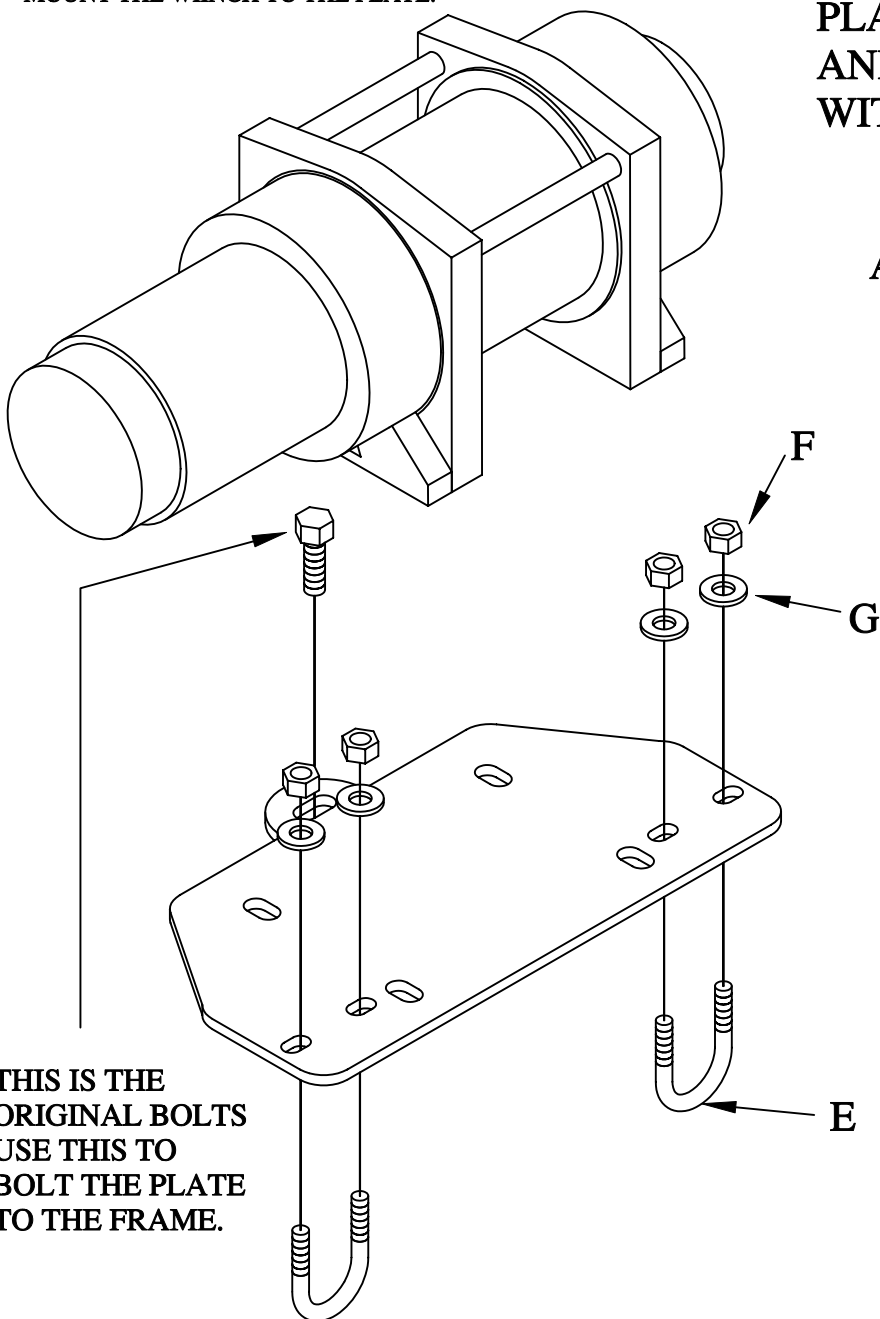
# 298044-R64

SUZUKI OZARK 250 2X4

RAMSEY'S WINCH IS SUPPLIED WITH A ROLLER FAIRLEAD. THE WARN WILL COME WITH A HAUS FAIRLEAD. THIS DEPENDS ON THE WINCH THAT IS PURCHASED. BOTH THE ROLLER OR HAUS FAIRLEAD WILL MOUNT IN THAT SPECIFIC POSITION.

THE WINCH WILL BOLT TO THE PLATE USING THE 5/16 X1 BOLTS AND 5/16 WASHERS SUPPLIED WITH THE WINCH.

IF THE WARN RT25 IS USED MUST USE THE METRIC BOLTS THAT ARE SUPPLIED WITH THE HARDWARE IN THE BAG WITH THE WINCH. THESE BOLTS ARE USED TO MOUNT THE WINCH TO THE PLATE.



THIS IS THE ORIGINAL BOLTS USE THIS TO BOLT THE PLATE TO THE FRAME.

