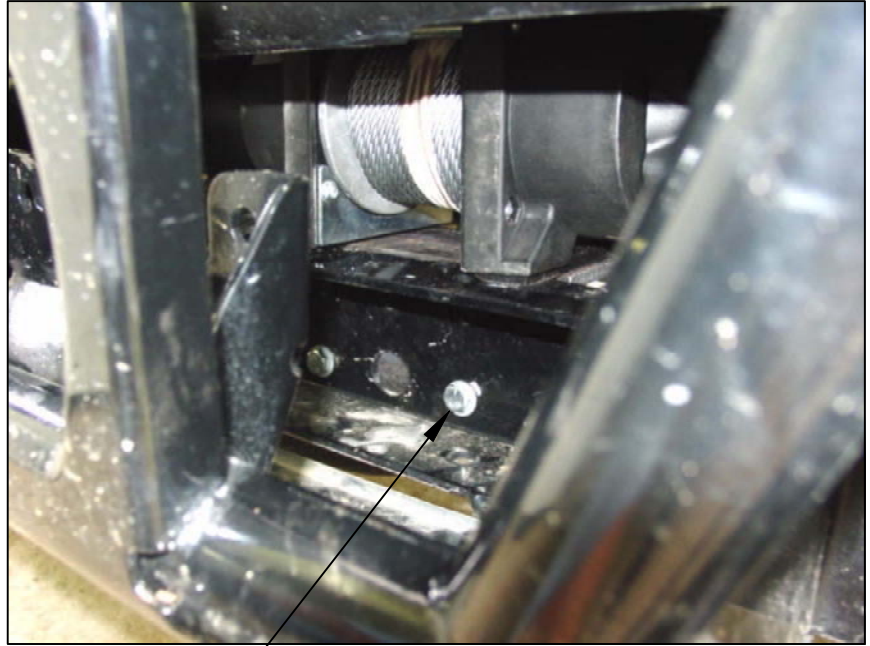


298046-R66

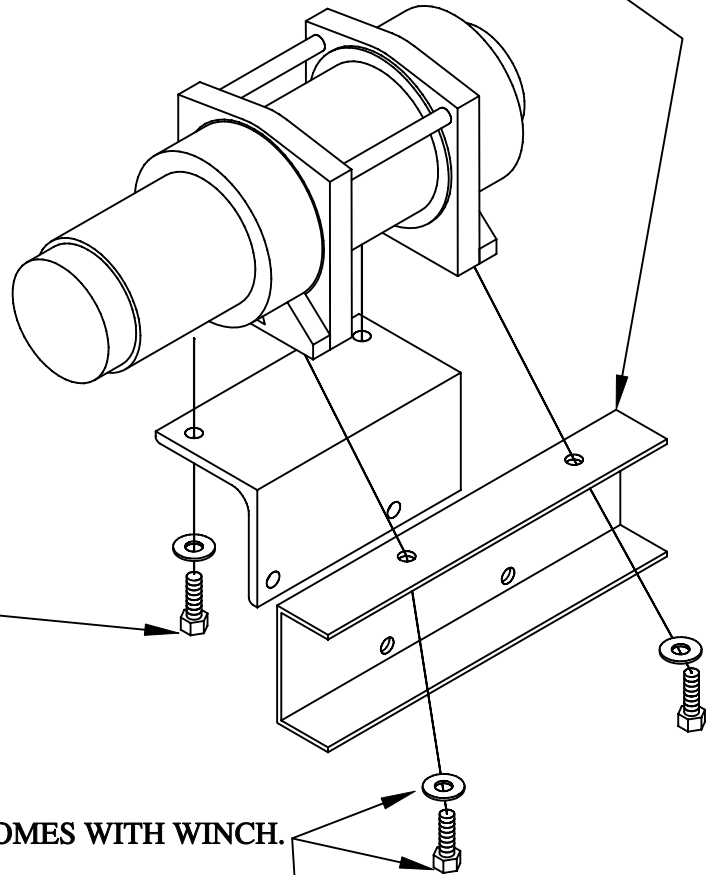
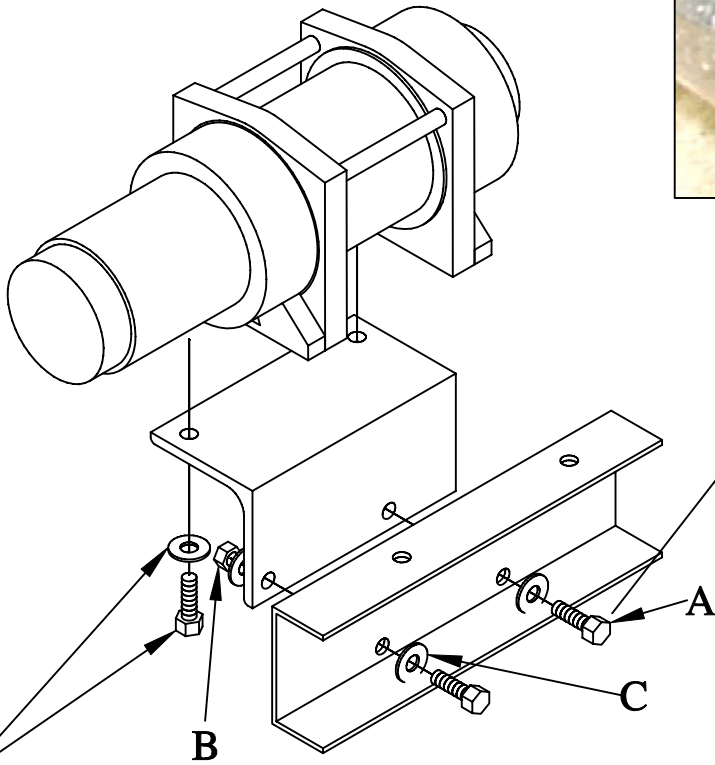
KAWASAKI MULE 3020/3000
SERIES WINCH PLATE.



- 2=5/16X1 BOLTS-A
- 2=5/16 LOCK NUTS-B
- 4=5/16 USS WASHERS-C



REPRESENTS THE FRAME.



COMES WITH WINCH.

