

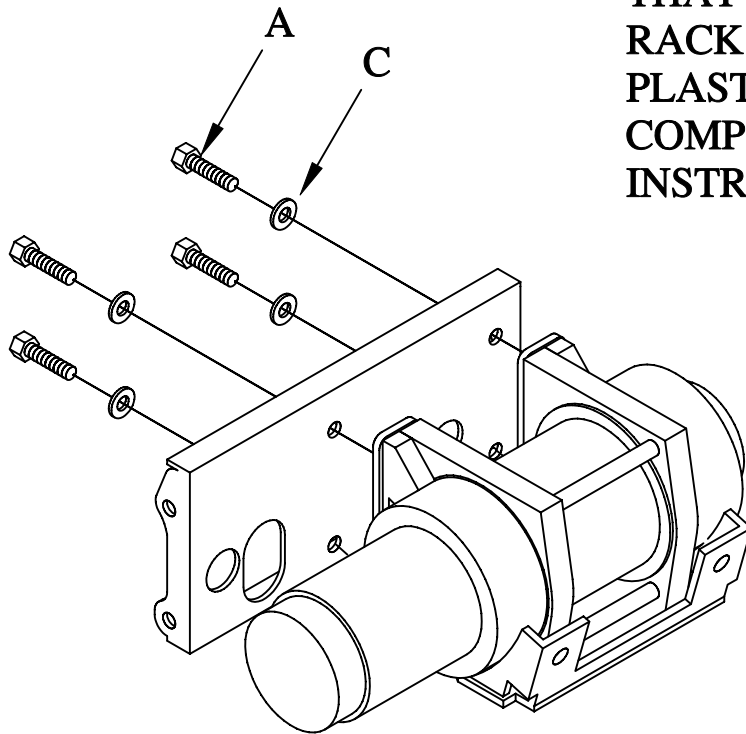


- 4=5/16 X 1 1/4" BOLTS-A
- 4=5/16 X 3/4" BOLTS-B
- 4=5/16 SAE WASHERS-C
- 4=5/16 LOCK NUTS-D

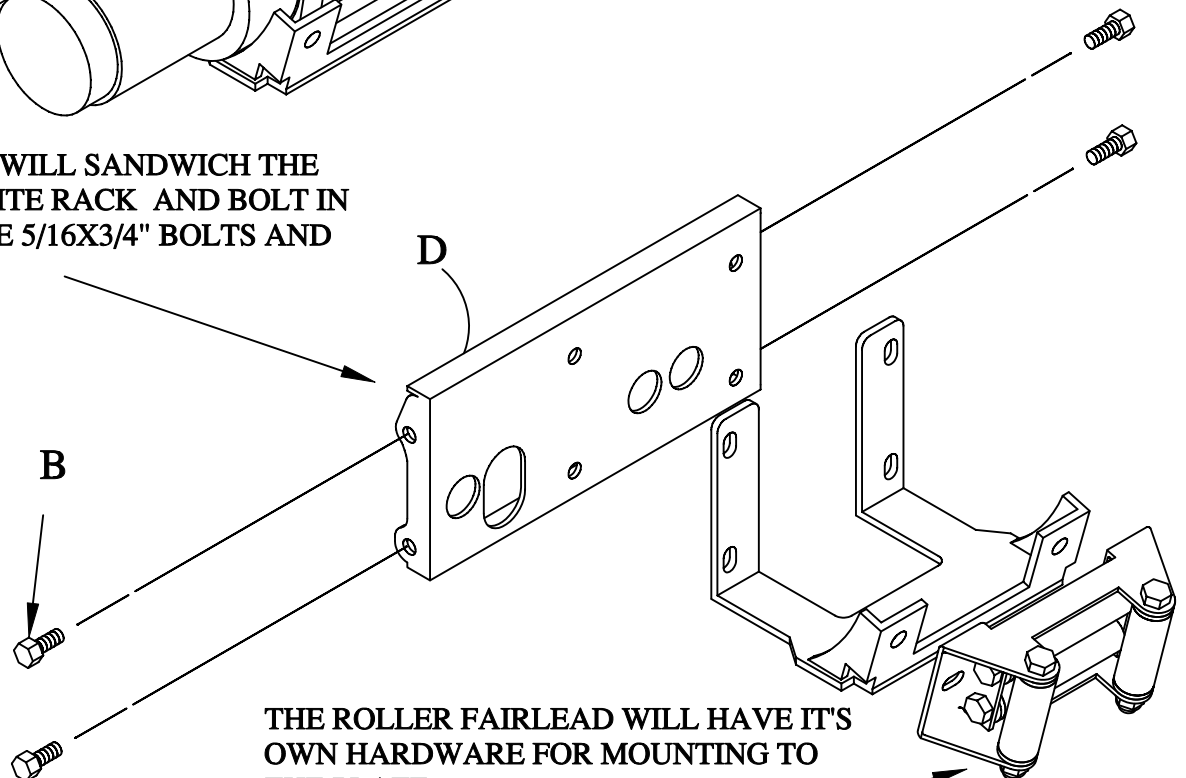
#298053-R74

MOUNTING PLATE FOR THE POLARIS 700. THIS PLATE FITS INTO THE HOLE THAT IS BUILT INTO THE COMPOSITE RACK. MUST REMOVE THE SMALL PLASTIC PLATE IN FRONT OF THE COMPOSITE AND PROCEED WITH THE INSTRUCTIONS.

MUST REMOVE THE TOP COMPOSITE RACK ON THE FRONT OF THE ATV. THEN PROCEED TO PLACE THE SUB PLATE IN PLACE IT WILL BOLT TO THE SUPPORTS OF THE FRONT RACK.



THE SUB PLATE WILL SANDWICH THE FRONT COMPOSITE RACK AND BOLT IN PLACE WITH THE 5/16X3/4" BOLTS AND 5/16 LOCK NUTS.



THE ROLLER FAIRLEAD WILL HAVE IT'S OWN HARDWARE FOR MOUNTING TO THE PLATE.