

- 4=1/4 X 1 U-BOLTS-A
- 2=1/4 X 1 SQUARE YELLOW U-BOLTS-B
- 12=1/4 USS WASHERS-C
- 12=1/4 LOCK NUTS-D



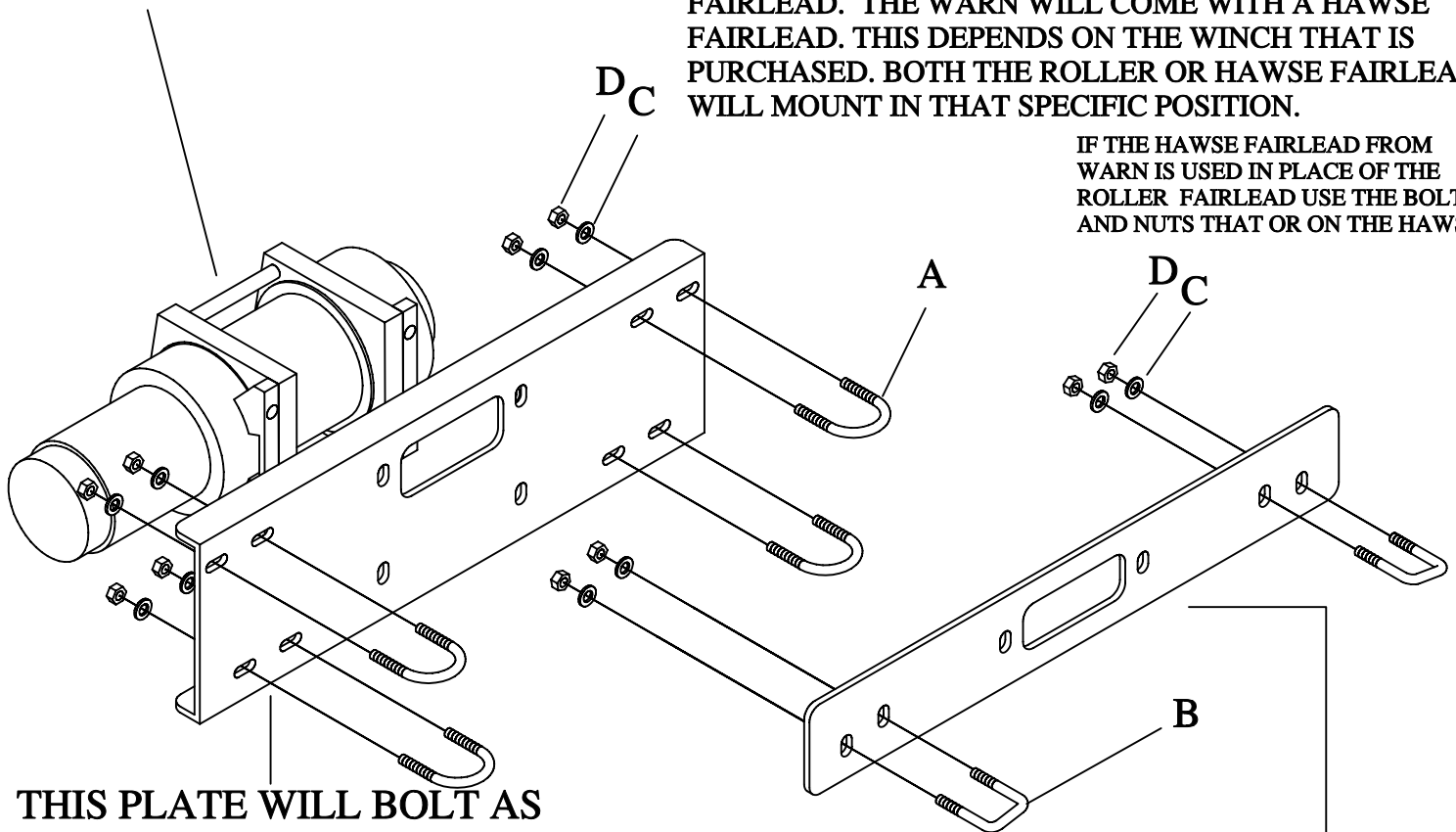
#298081-R82

KAWASAKI MULE 520/550

THIS WINCH WILL HAVE IT'S OWN HARDWARE TO MOUNT TO THE PLATE....

THIS PLATE IS DESIGNED TO FIT THE RAMSEY 2500LB AND ALSO THE WARN 2000LB , 2500LB 3000LB WINCHES. RAMSEY'S WINCH IS SUPPLIED WITH A ROLLER FAIRLEAD. THE WARN WILL COME WITH A HAWSE FAIRLEAD. THIS DEPENDS ON THE WINCH THAT IS PURCHASED. BOTH THE ROLLER OR HAWSE FAIRLEAD WILL MOUNT IN THAT SPECIFIC POSITION.

IF THE HAWSE FAIRLEAD FROM WARN IS USED IN PLACE OF THE ROLLER FAIRLEAD USE THE BOLTS AND NUTS THAT OR ON THE HAWSE.



THIS PLATE WILL BOLT AS SHOWN IN DRAWING. IT WILL BOLT TO THE TWO BARS IN THIS PIC.

THIS PLATE WILL BOLT TO THE BEHIND THE 1" TUBING ON THE FRONT OF THE UNIT.

