

2=1/4X1 SQUARE YELLOW U-BOLTS-A
4=1/4" USS WASHERS-B
4=1/4" LOCK NUTS-C

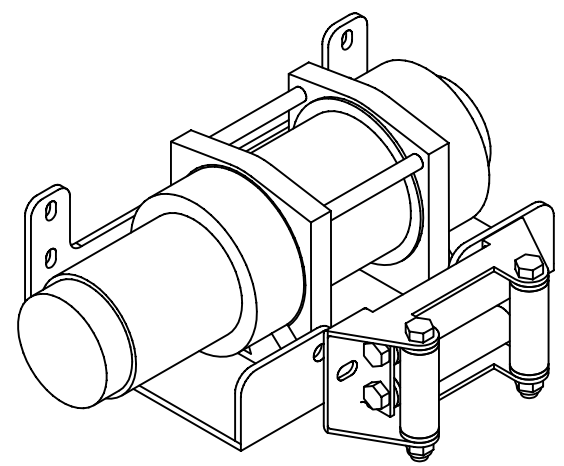
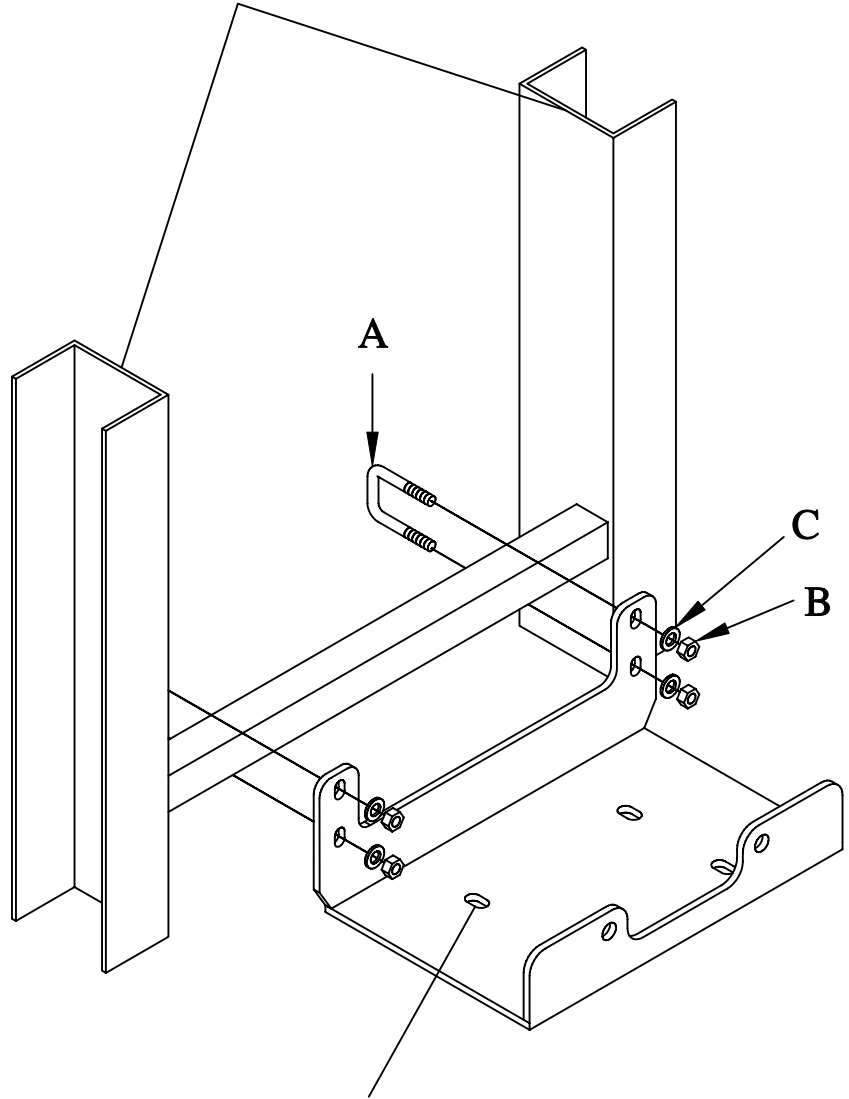


#298101-R81

YAMAHA RINO 660 4X4

**THIS REPRESENTS THE
FRAME ON THE RINO.**

**IF THE WARN RT25 IS USED MUST USE THE
METRIC BOLTS THAT ARE SUPPLIED WITH
THE HARDWARE IN THE BAG WITH THE
WINCH. THESE BOLTS ARE USED TO
MOUNT THE WINCH TO THE PLATE.**



**THESE FOUR 5/16X1 BOLTS 5/16 WASHERS WILL
COME WITH THE WINCH THAT IS PURCHASED...**