

10=5/16 X 1 BOLTS
16=5/16 USS WASHERS
6=5/16 LOCK NUTS



298103-R80

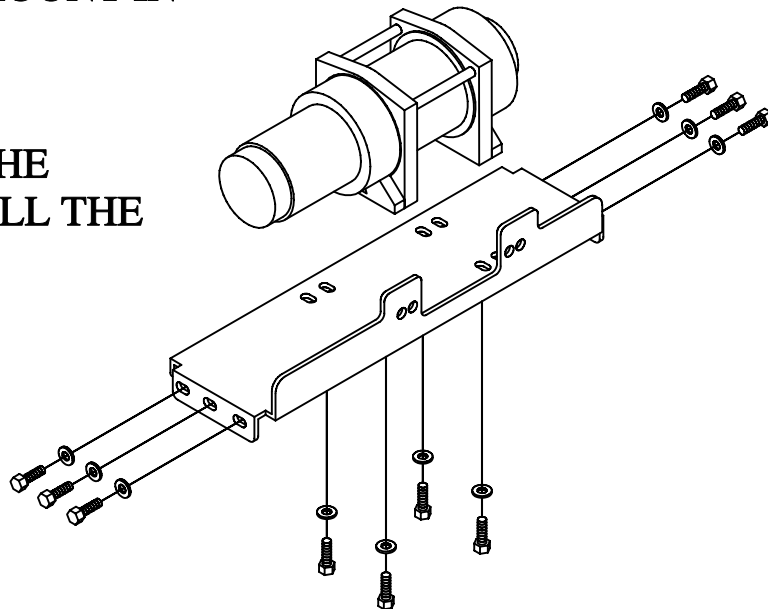
IF THE HAUS FAIRLEAD FROM WARN IS USED IN PLACE OF THE ROLLER FAIRLEAD USE THE BOLTS AND NUTS THAT OR ON THE HAUS.

THIS PLATE IS DESIGNED TO FIT THE RAMSEY 2500LB, AND ALSO THE WARN 2000LB , 2500LB , 3000LB AND 3500LB WINCHES.

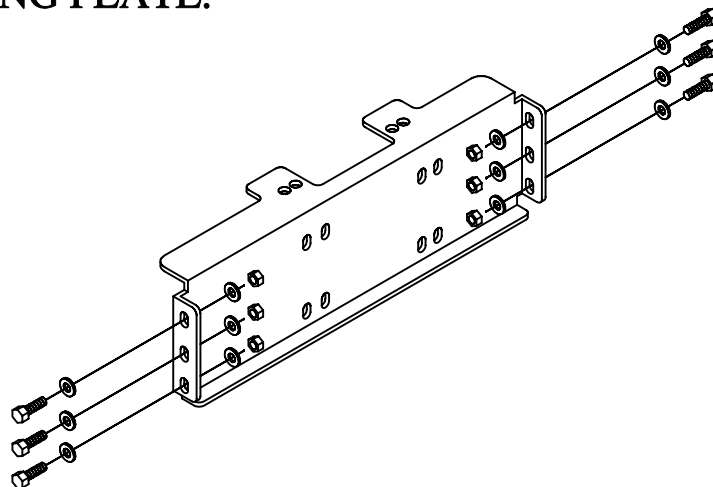
RAMSEY'S WINCH IS SUPPLIED WITH A ROLLER FAIRLEAD. THE WARN WILL COME WITH A HAUS FAIRLEAD. THIS DEPENDS ON THE WINCH THAT IS PURCHASED. BOTH THE ROLLER OR HAUS FAIRLEAD WILL MOUNT IN THAT SPECIFIC POSITION.

THE PLATE WILL BOLT BEHIND THE FRONT BUMPER. THIS IS AN INSIDE MOUNT, THE PLATE WILL MOUNT IN THE FRONT CAVITY...

MAY HAVE TO REMOVE THE FRONT BUMPER TO INSTALL THE PLATE..



BOTTOM VIEW OF THE MOUNTING PLATE.



SAVANT'S MFG PH. # 1-800-326-6880

EMAIL ADDRESS www.savantmfg.com