

2=5/16X1 BOLTS  
4=5/16 USS WASHERS  
2=5/16 LOCK NUTS



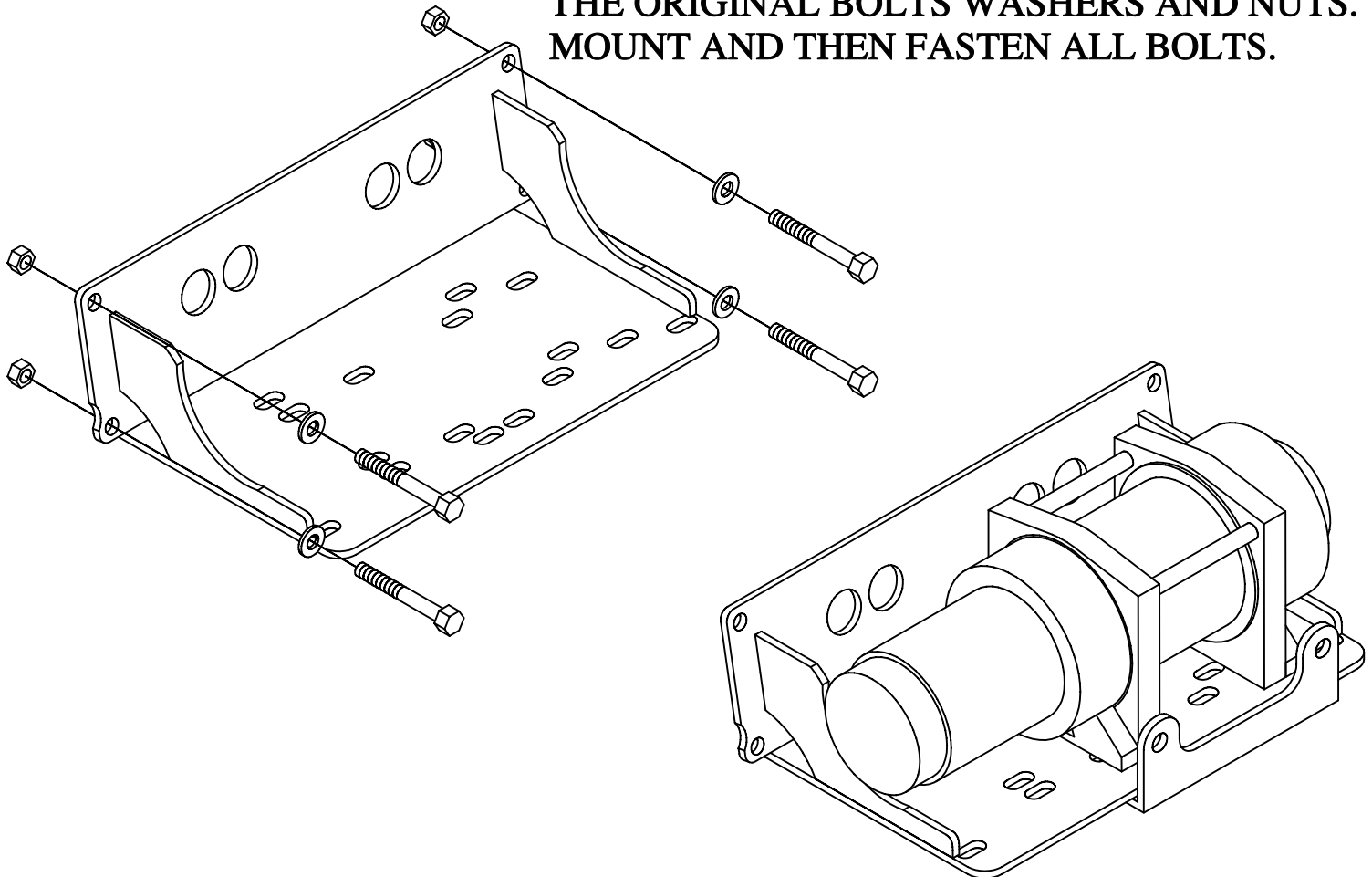
THESE BOLTS WASHERS AND NUTS ARE USED ONLY FOR SUPER WINCH'S ONLY. THEY ARE USED TO MOUNT THE ROLLER FAIRLEAD PLATE TO THE MAIN PLATE IN FRONT OF THE WINCH.



# 298106-R83

POLARIS INSIDE BUMPER MOUNT  
REFER TO PRICE LIST FOR MODELS.

REMOVE THE FRONT INSERT IN THE FRONT BUMPER THEN REMOVE THE FOUR 5/16 GOLD BOLTS. MOUNT THE WINCH ONTO THE PLATE AND THEN INSERT IN TO THE CAVITY REUSE THE ORIGINAL BOLTS WASHERS AND NUTS. MOUNT AND THEN FASTEN ALL BOLTS.



THE ROLLER FAILEAD PLATE WILL ALWAYS MOUNT IN FRONT OF WHAT EVER STYLE WINCH THAT IS USED.