

- 8=1/4 USS WASHERS-A
- 8=1/4 LOCK NUTS-B
- 2=1/4 X 3/8 U-BOLTS-C
- 2=1/4 X 1/2 U-BOLTS-D



**THIS PLATE IS DESIGNED TO FIT THE RAMSEY 2500LB, AND ALSO THE WARN 2000LB , 2500LB WINCHES.**

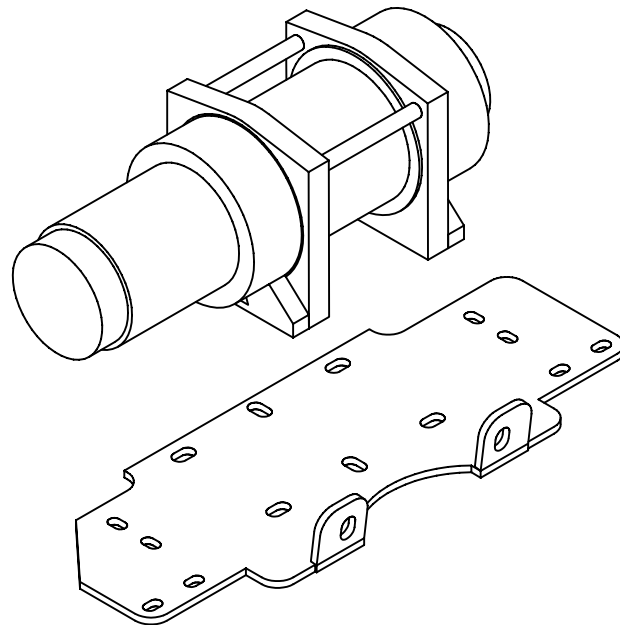
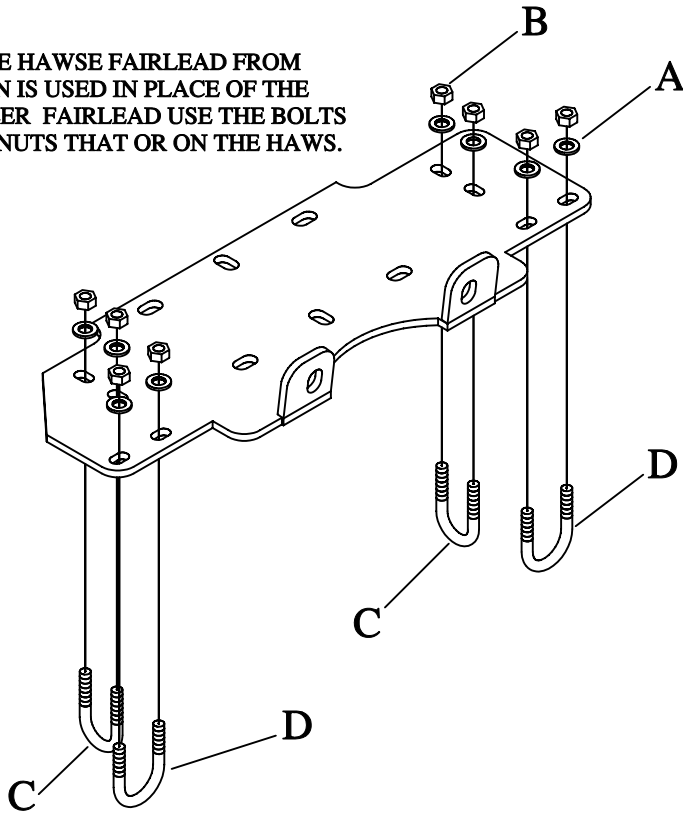
RAMSEY'S WINCH IS SUPPLIED WITH A ROLLER FAIRLEAD. THE WARN WILL COME WITH A HAWSE FAIRLEAD. THIS DEPENDS ON THE WINCH THAT IS PURCHASED. BOTH THE ROLLER OR HAUS FAIRLEAD WILL MOUNT IN THAT SPECIFIC POSITION.

# #298108-R88

KAWASAKI BRUTE FORCE 750 4X4

IF THE WARN RT25 IS USED MUST USE THE METRIC BOLTS THAT ARE SUPPLIED WITH THE HARDWARE IN THE BAG WITH THE WINCH. THESE BOLTS ARE USED TO MOUNT THE WINCH TO THE PLATE.

IF THE HAWSE FAIRLEAD FROM WARN IS USED IN PLACE OF THE ROLLER FAIRLEAD USE THE BOLTS AND NUTS THAT OR ON THE HAWS.



TO MAKE THE JOB AS EASY AS IT CAN BE REMOVE THE FRONT PLASTIC GUARD THAT IS MOUNTED TO THE FRONT BUMPER, AFTER INSTALLING THE WINCH AND PLATE COMBO MOUNT THE PLASTIC GUARD BACK TO BUMPER.

