

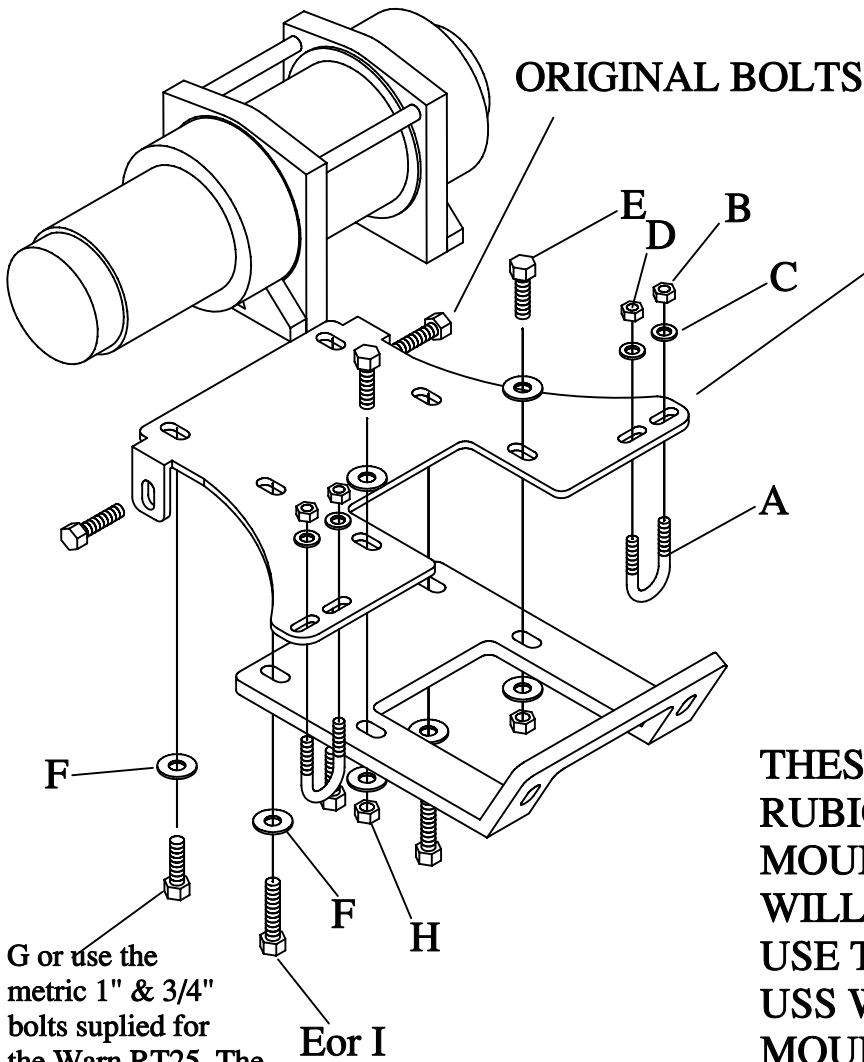
- 2=1/4X3/8 U-BOLTS-A
- 4=1/4 LOCK NUTS-B
- 4=1/4 USS WASHERS-C
- 4=1/4 ROD CAPS-D
- 4=5/16 X 1 1/4 BOLTS-E
- 8=5/16 USS WASHERS-F
- 2=5/16 X 1 BOLTS-G
- 4=5/16 LOCK NUTS-H
- 2=8MM X 1.25 X 30MM BOLTS-I
- (USED ONLY FOR WARN RT25)



298109-R89

HONDA FOREMAN 500 4X4 RUBICON 500 4X4.

TWO OF THESE WILL BE USE WITH TWO OF THE 5/16 X 1 BOLTS IN THE WINCH HARDWARE TO MOUNT THE ROLLER FAIRLEAD TO THE 3/8 PLATE.



FOREMAN 500 4X4 ONLY



THESE THREE PICS OF FOR THE 2005 RUBICON 500 4X4. THE PLATE WILL MOUNT THE SAME BUT THE WINCH WILL MOUNT INTO THE FRONT HOLES. USE THE 5/16 X 1 1/4 BOLTS AND 5/16 USS WASHERS FOR THIS BIKE. ONCE MOUNTED REINSTALL ALL PIECES THAT WERE REMOVED.

G or use the metric 1" & 3/4" bolts supplied for the Warn RT25. The metric is only used for Warn RT25.

REMOVE THE FRONT SKID PAN FOR EASIER ACCESS TO INSTALL THE WINCH PLATE AND WINCH.

REMOVE THE SIDE RADIATOR GUARD FOR EASIER ACCESS TO INSTALL THE WINCH PLATE AND WINCH.

REMOVE THE FRONT RADIATOR SCREEN GUARD FOR EASIER ACCESS TO INSTALL THE WINCH PLATE AND WINCH.

