

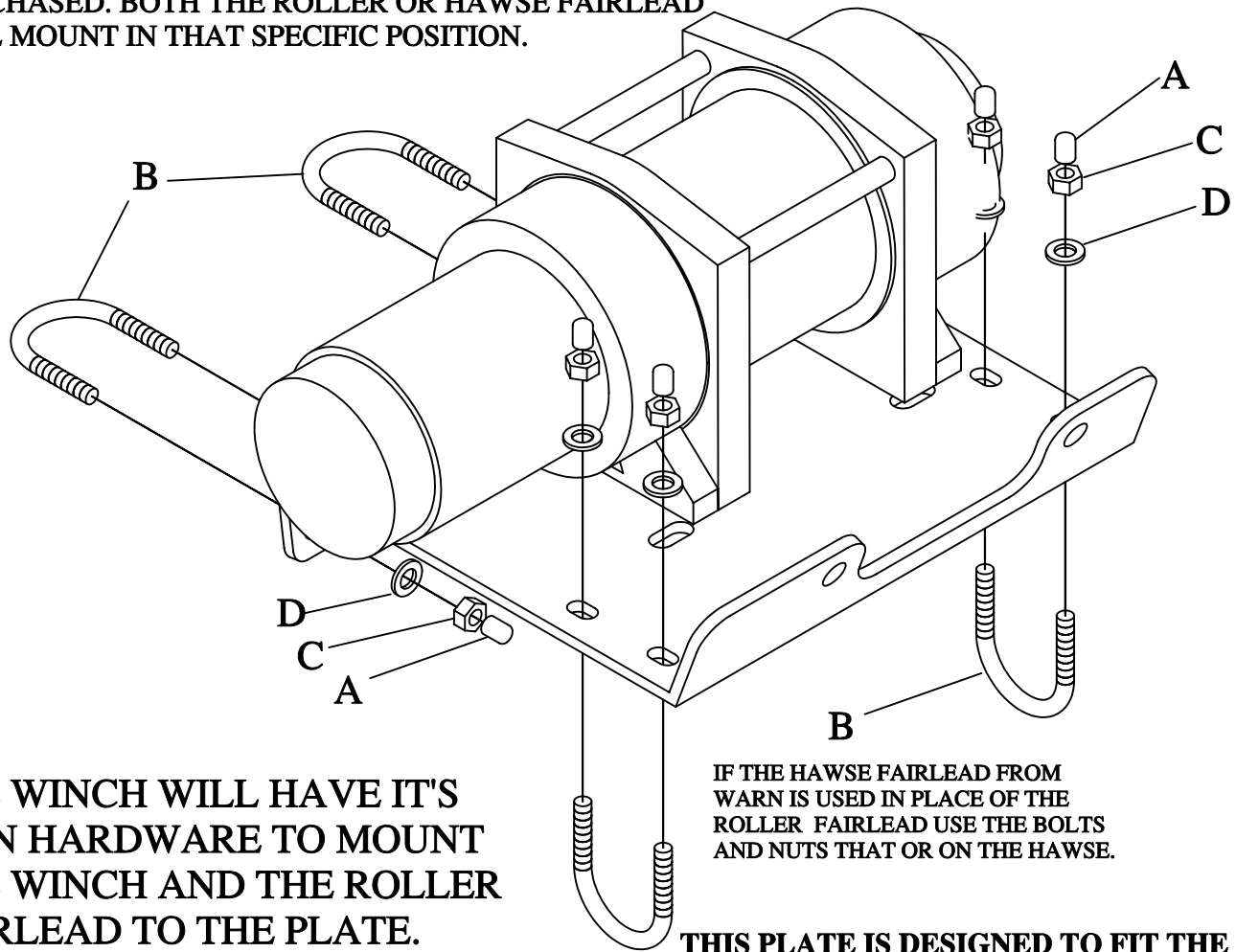
- 8=1/4 ROD CAPS-A
- 4=1/4 X 1 U-BOLTS-B
- 8=1/4 LOCK NUTS-C
- 8=1/4 USS WASHERS-D



# # 298113-R93

## KAWASAKI BRUTE FORCE 650

RAMSEY'S WINCH IS SUPPLIED WITH A ROLLER FAIRLEAD. THE WARN WILL COME WITH A HAWSE FAIRLEAD. THIS DEPENDS ON THE WINCH THAT IS PURCHASED. BOTH THE ROLLER OR HAWSE FAIRLEAD WILL MOUNT IN THAT SPECIFIC POSITION.



THE WINCH WILL HAVE IT'S OWN HARDWARE TO MOUNT THE WINCH AND THE ROLLER FAIRLEAD TO THE PLATE.

IF THE HAWSE FAIRLEAD FROM WARN IS USED IN PLACE OF THE ROLLER FAIRLEAD USE THE BOLTS AND NUTS THAT OR ON THE HAWSE.

THIS PLATE IS DESIGNED TO FIT THE RAMSEY 2500LB AND ALSO THE WARN 2000LB , 2500LB WINCHES.

FIRST REMOVE THE BOTTOM SKID AND THIS WILL ALLOW FOR BETTER ACCESS REPLACE WHEN FINISHED INSTALLING THE PLATE.

REMOVE THIS PLASTIC RADIATOR GUARD AND LEAVE THIS OFF.

PLACE THE PLATE AS SHOWN HERE AND INSTALL ALL HARDWARE.

