

- 9=5/16 X 1 BOLTS
- 9=5/16 LOCK NUTS
- 18=5/16 USS WASHERS
- 2=5/16 X 1 1/4 BOLTS

IF THE HAWSE FAIRLEAD FROM WARN IS USED IN PLACE OF THE ROLLER FAIRLEAD USE THE BOLTS AND NUTS THAT OR ON THE HAWS.

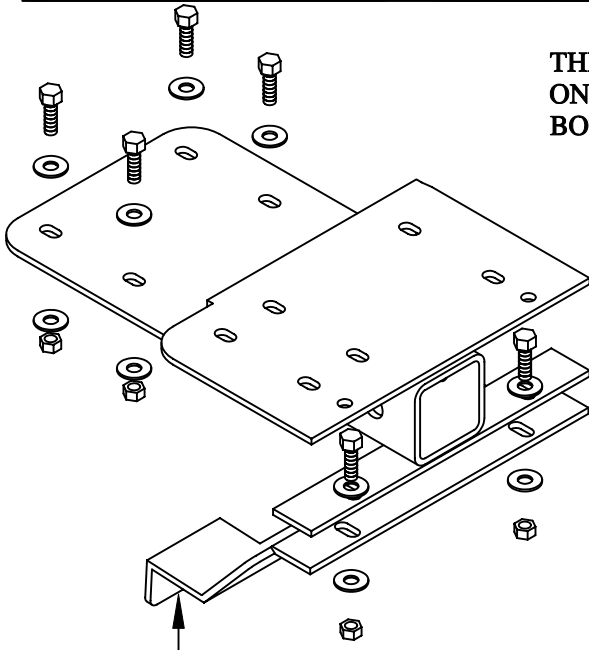
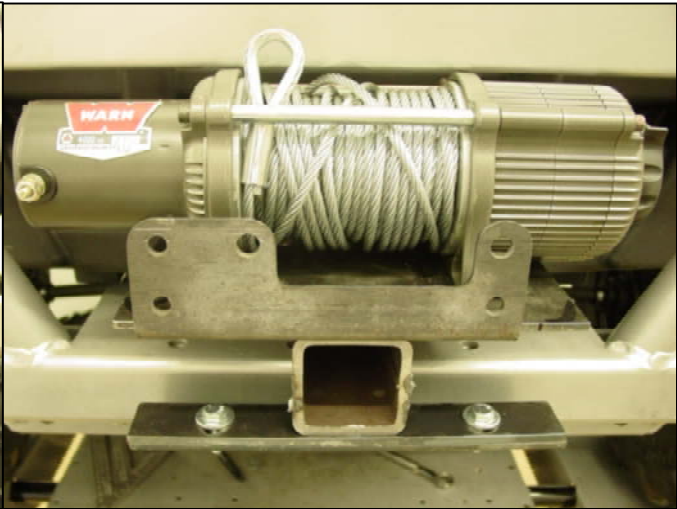


298116-R96

KUBOTA RTV 900 4X4

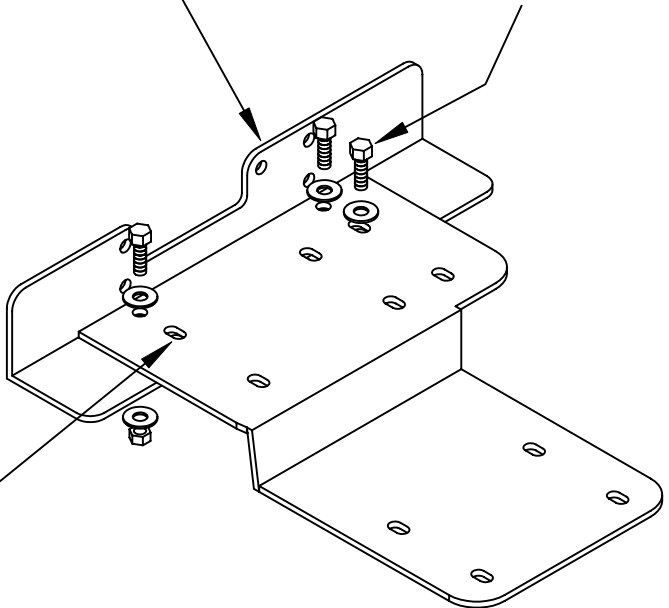
RAMSEY'S WINCH IS SUPPLIED WITH A ROLLER FAIRLEAD. THE WARN WILL COME WITH A HAWSE FAIRLEAD. THIS DEPENDS ON THE WINCH THAT IS PURCHASED. BOTH THE ROLLER OR HAUS FAIRLEAD WILL MOUNT IN THAT SPECIFIC POSITION.

THIS PLATE IS DESIGNED TO FIT THE RAMSEY 2500LB - 5000LB AND ALSO THE WARN 2000LB - 4000LB WINCHES.



THIS PLATE WILL BE FLIPPED DEPENDING ON WHAT WINCH YOU ARE USING, IT WILL FIT BOTH SMALL AND LARGE ROLLER FAIRLEADS.

THIS BOLT WILL BE REMOVED IF YOU ARE INSTALLING A 4000LB WINCH, THEN YOU WILL USE ONE OF THE 5/16 X 1 1/4 BOLTS HERE.



REMOVE THE LARGE STOCK BOLTS HERE AND REPLACE THEM ONCE YOU PLACE THE BRACKET INTO POSITION.

THEIR WILL TWO 5/16 X 1 1/4 BOLTS SUPPLIED IN THE HARDWARE TO USE WHEN MOUNTING THE WINCH TO THE PLATE, THESE BOLTS WILL ONLY BE USED WHEN YOU HAVE TO BOLT THROUGH TWO PLATES INTO THE WINCH.