

- 2=5/16 X 1 1/4 U-BOLTS-A
- 2=5/16 X 1/2 U-BOLTS-B
- 8=5/16 LOCK NUTS-C
- 8=5/16 USS WASHERS-D
- 2=7/16 X 1 1/4 BOLTS-E
- 2=7/16 LOCK NUTS-F
- 4=7/16 SAE WASHERS-G

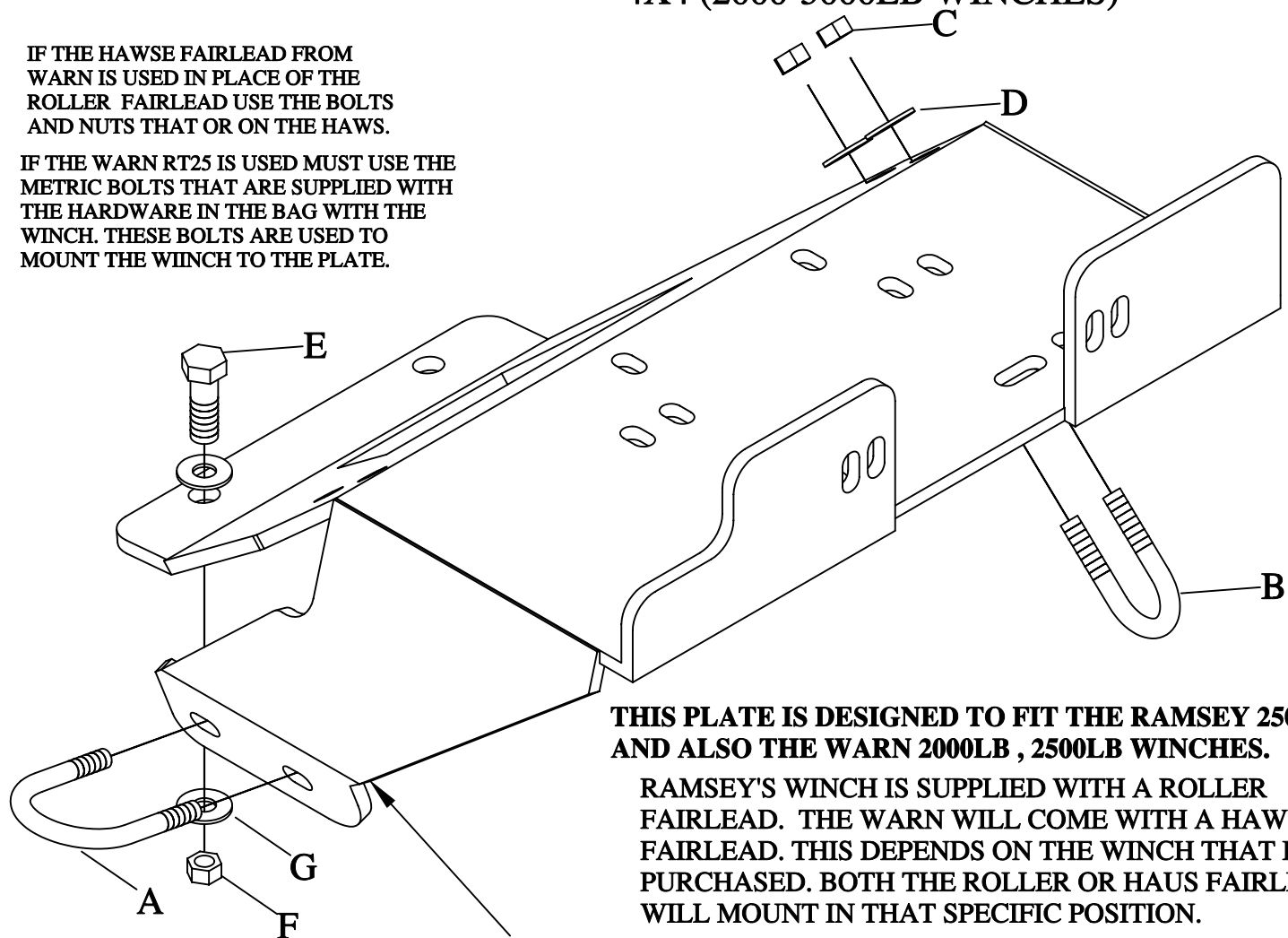


298119-R99

KAWASAKI MULES 3000,3020,3010'S 2X4
4X4 (2000-5000LB WINCHES)

IF THE HAWSE FAIRLEAD FROM WARN IS USED IN PLACE OF THE ROLLER FAIRLEAD USE THE BOLTS AND NUTS THAT OR ON THE HAWS.

IF THE WARN RT25 IS USED MUST USE THE METRIC BOLTS THAT ARE SUPPLIED WITH THE HARDWARE IN THE BAG WITH THE WINCH. THESE BOLTS ARE USED TO MOUNT THE WIINCH TO THE PLATE.



THIS PLATE IS DESIGNED TO FIT THE RAMSEY 2500LB, AND ALSO THE WARN 2000LB , 2500LB WINCHES.

RAMSEY'S WINCH IS SUPPLIED WITH A ROLLER FAIRLEAD. THE WARN WILL COME WITH A HAWSE FAIRLEAD. THIS DEPENDS ON THE WINCH THAT IS PURCHASED. BOTH THE ROLLER OR HAUS FAIRLEAD WILL MOUNT IN THAT SPECIFIC POSITION.

