

- 2=5/16 X 1 1/4 U-BOLTS-A
- 12=5/16 LOCK NUTS-B
- 8=5/16 X 1 BOLTS-C
- 20=5/16 USS WASHERS-D

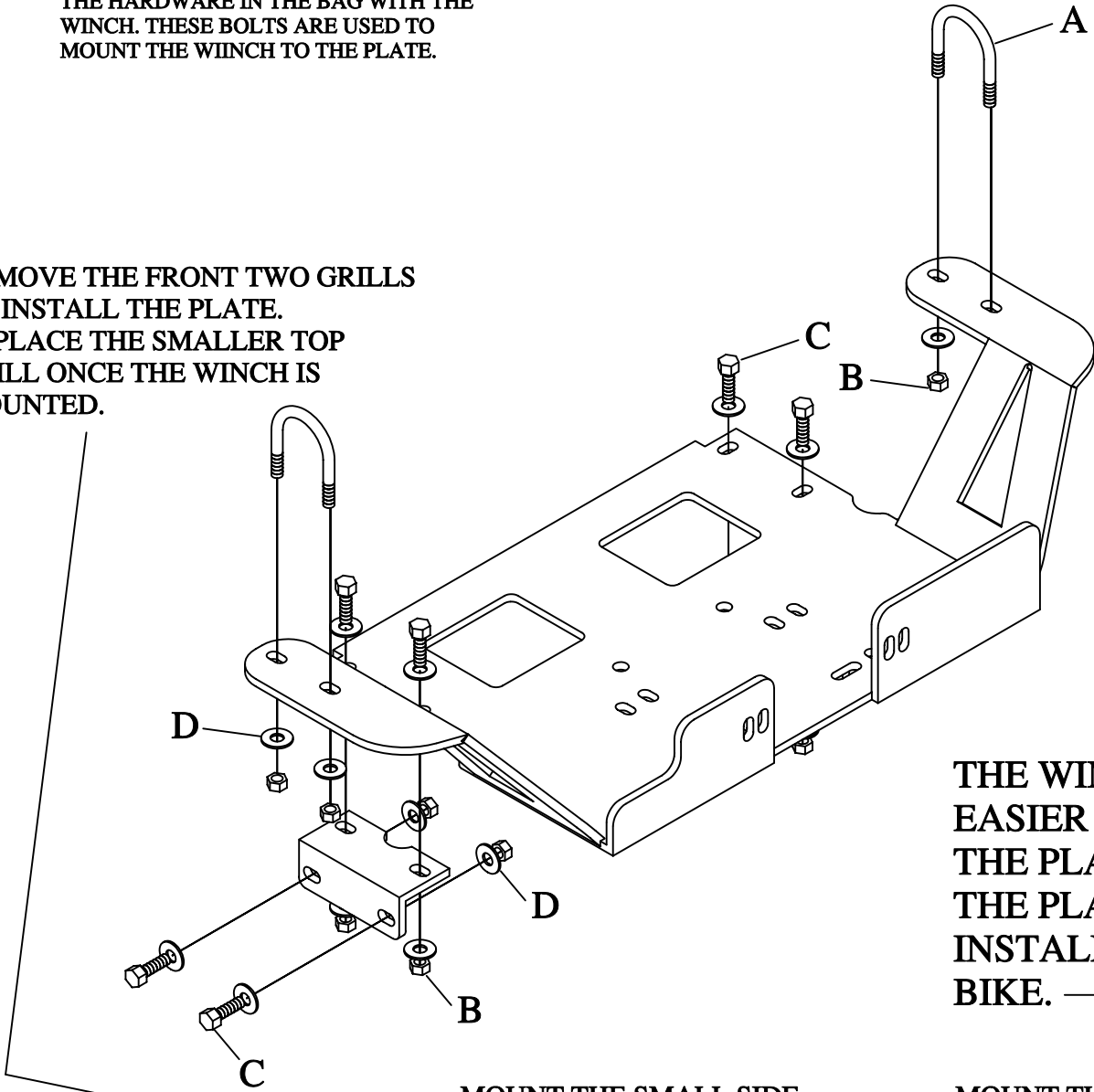


# # 298120-R100

POLARIS RANGERS 2X4 4X4 6X6  
2000LB-5000LB WINCHES

IF THE WARN RT25 IS USED MUST USE THE METRIC BOLTS THAT ARE SUPPLIED WITH THE HARDWARE IN THE BAG WITH THE WINCH. THESE BOLTS ARE USED TO MOUNT THE WINCH TO THE PLATE.

REMOVE THE FRONT TWO GRILLS TO INSTALL THE PLATE.  
REPLACE THE SMALLER TOP GRILL ONCE THE WINCH IS MOUNTED.



THE WINCH MAY BE EASIER TO MOUNT TO THE PLATE BEFORE THE PLATE IS INSTALLED ONTO THE BIKE.

MOUNT THE SMALL SIDE BRACKETS TO THE SIDE PANELS AS THE PIC. IS SHOWING.

MOUNT THE U-BOLTS TO THE TOP BUMPER BAR AS THE PIC. IS SHOWING.

