

2=1/4X1 SQUARE YELLOW U-BOLTS-A

4=1/4" USS WASHERS-B

4=1/4" LOCK NUTS-C



THIS PLATE IS DESIGNED TO FIT THE
RAMSEY/WARN 2000-3000 LB WINCHES.

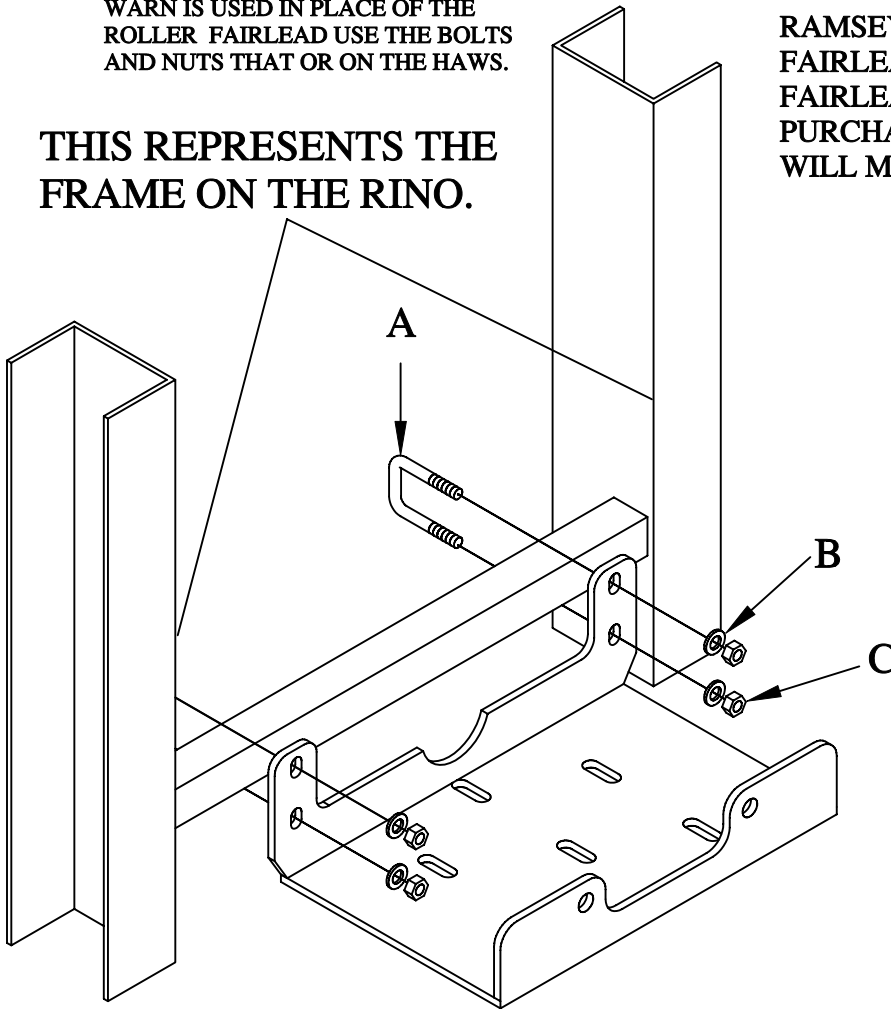
#298131-R111

YAMAHA RINO 450-660 4X4 2007'S

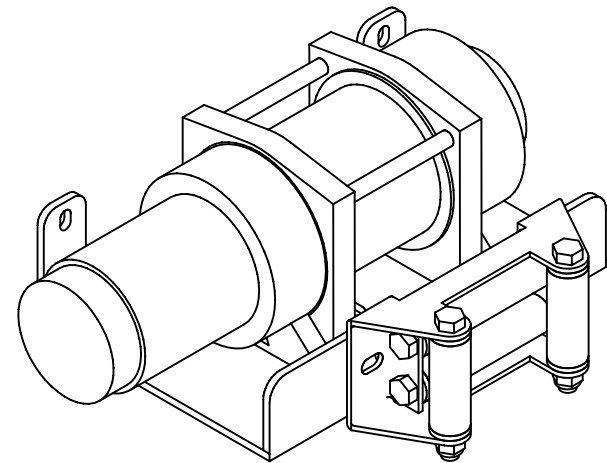
IF THE HAWSE FAIRLEAD FROM
WARN IS USED IN PLACE OF THE
ROLLER FAIRLEAD USE THE BOLTS
AND NUTS THAT OR ON THE HAWS.

THIS REPRESENTS THE
FRAME ON THE RINO.

RAMSEY'S WINCH IS SUPPLIED WITH A ROLLER
FAIRLEAD. THE WARN WILL COME WITH A HAWSE
FAIRLEAD. THIS DEPENDS ON THE WINCH THAT IS
PURCHASED. BOTH THE ROLLER OR HAWSE FAIRLEAD
WILL MOUNT IN THAT SPECIFIC POSITION.



IF THE WARN RT25 IS USED MUST USE THE
METRIC BOLTS THAT ARE SUPPLIED WITH
THE HARDWARE IN THE BAG WITH THE
WINCH. THESE BOLTS ARE USED TO
MOUNT THE WINCH TO THE PLATE.



THE FOUR 5/16X1 BOLTS 5/16 WASHERS WILL
COME WITH THE WINCH THAT IS PURCHASED...
THESE BOLTS WILL MOUNT THE WINCH TO THE
PLATE. THE FRONT BOLTS OF THE WINCH WILL
MOUNT THE BRACKET TO THE FRAME.

SAVANT'S MFG PH. # 1-800-326-6880

WEB. ADDRESS www.savantmfg.com