

2=1/4 X 1 YELLOW U- BOLTS-A  
4=1/4 LOCK NUTS-B  
4=1/4 USS WASHERS-C

IF THE HAWSE FAIRLEAD FROM  
WARN IS USED IN PLACE OF THE  
ROLLER FAIRLEAD USE THE BOLTS  
AND NUTS THAT OR ON THE HAWS.

THIS PLATE IS JUST FOR THE  
ROLLER FAIR LEAD TO MOUNT  
TOO. THE WINCH WILL MOUNT  
TO THE BRACKETS THAT ARE  
ON THE FRAME. THIS BRACKET  
WILL MOUNT UNDER THE  
BRACKETS THAT ARE ON THE  
FRAME. THE FRONT TWO HOLES  
ON THE WINCH IS WHAT THE  
REAR OF THE PLATE WILL  
MOUNT TOO.

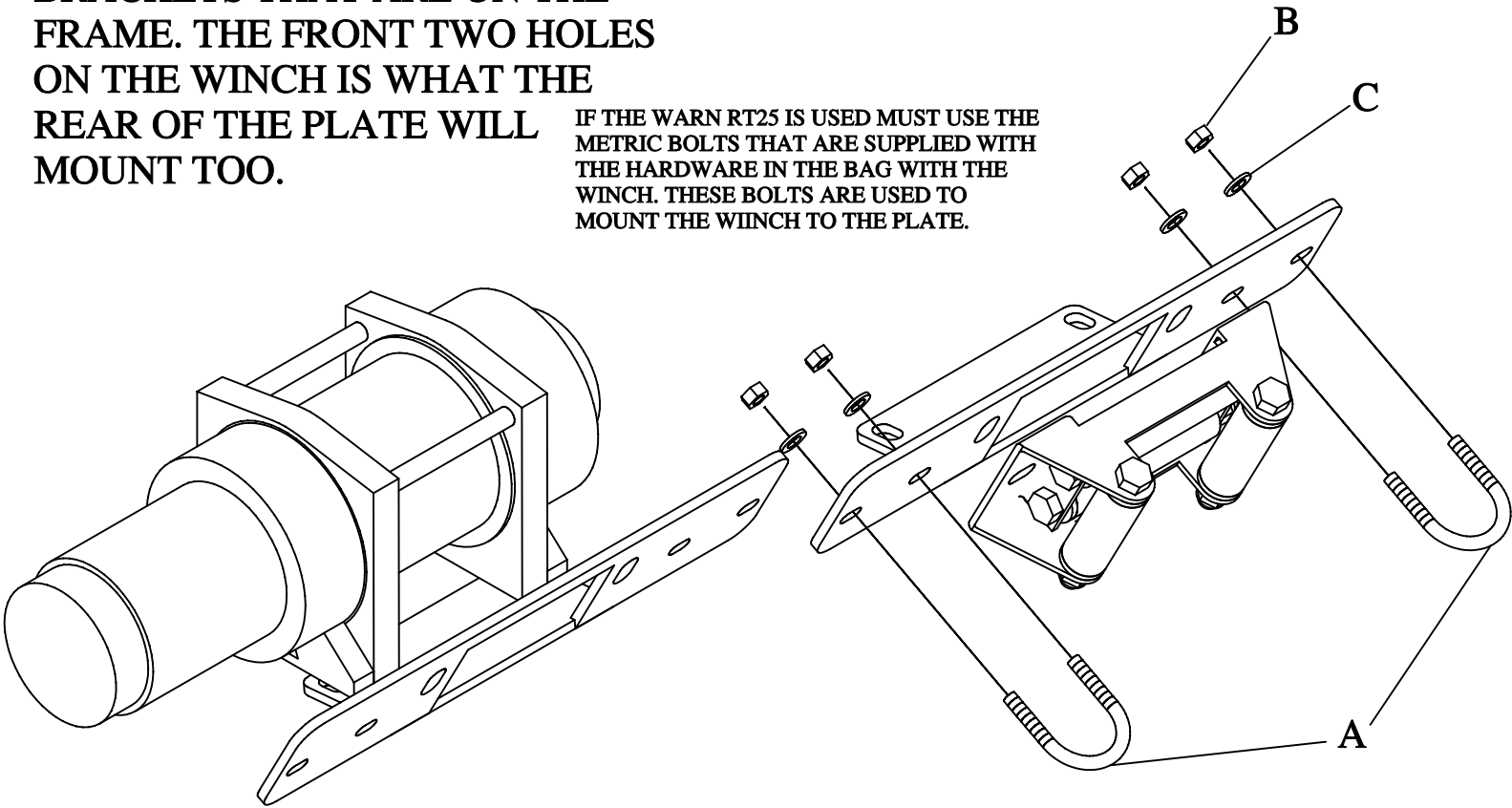
IF THE WARN RT25 IS USED MUST USE THE  
METRIC BOLTS THAT ARE SUPPLIED WITH  
THE HARDWARE IN THE BAG WITH THE  
WINCH. THESE BOLTS ARE USED TO  
MOUNT THE WIINCH TO THE PLATE.



# 298133-R113

2007 YAMAHA BIG BEAR 400 4X4 IRS  
THIS PLATE IS DESIGNED TO FIT THE RAMSEY 2500LB,  
AND ALSO THE WARN 2000LB , 2500LB WINCHES.

RAMSEY'S WINCH IS SUPPLIED WITH A ROLLER  
FAIRLEAD. THE WARN WILL COME WITH A HAWSE  
FAIRLEAD. THIS DEPENDS ON THE WINCH THAT IS  
PURCHASED. BOTH THE ROLLER OR HAUS FAIRLEAD  
WILL MOUNT IN THAT SPECIFIC POSITION.



THE WINCH WILL HAVE ITS OWN  
HARDWARE TO MOUNT TO THE FRAME  
BRACKETS.

THE U-BOLTS WILL MOUNT TO  
THE FRONT FRAME BARS  
OF THE BUMPER.

SAVANT'S MFG PH. # 1-800-326-6880

WEB. ADDRESS [www.savantmfg.com](http://www.savantmfg.com)