



#298134-R114

HONDA RANCHER 420 2007

THIS PLATE IS DESIGNED TO FIT THE RAMSEY 2500LB, AND ALSO THE WARN 2000LB , 2500LB WINCHES.

RAMSEY'S WINCH IS SUPPLIED WITH A ROLLER FAIRLEAD. THE WARN WILL COME WITH A HAWSE FAIRLEAD. THIS DEPENDS ON THE WINCH THAT IS PURCHASED. BOTH THE ROLLER OR HAUS FAIRLEAD WILL MOUNT IN THAT SPECIFIC POSITION.

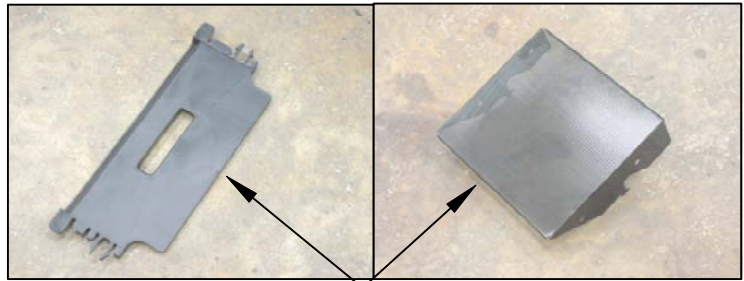
- 2=5/16 X 2 1/4 BOLTS-A
- 2=8MM X 1.25 X 50MM BOLTS-B
(USED ONLY FOR WARN RT25)
- 2=5/16 LOCK NUTS-C
- 6=5/16 USS WASHERS-D
- 2=1/4 X 1 1/4 BOLTS-E
- 2=1/4 LOCK NUTS-F
- 4=1/4 USS WASHERS-G
- 8MM X 1.25 X 20MM BOLTS-H
(USED ONLY FOR WARN RT25)
- 2=3/16 X 1 WASHERS-I
- 4=1/4"X 1" LONG GALV.SPACERS-J
- 2=1/4"X 3/8" LONG GALV.SPACERS-K
- 2=5/16 X 2" BOLTS-L

IF THE HAWSE FAIRLEAD FROM WARN IS USED IN PLACE OF THE ROLLER FAIRLEAD USE THE BOLTS AND NUTS THAT OR ON THE HAWS.

DO NOT PACK THESE IN THE HARDWARE PACKAGE. THESE ARE SUPPLIED WITH THE WINCH..



TO REMOVE THE GUARDS THEIR IS TWO PLASTIC PINS JUST TAKE A ROUND OBJECT AND PUSH THE CENTER OF THE PINS.



THESE GUARDS WILL BE LEFT OFF.

THESE SHROUDS CAN BE LEFT OFF, BUT IF YOU WISH TO INSTALL THEM BACK ON THE RADIATOR YOU MUST CUT THEM LIKE THIS TO ALLOW FOR THE MOTOR AND ALLOW ACCESS TO THE SWITCH.



NOT CUT

CUT

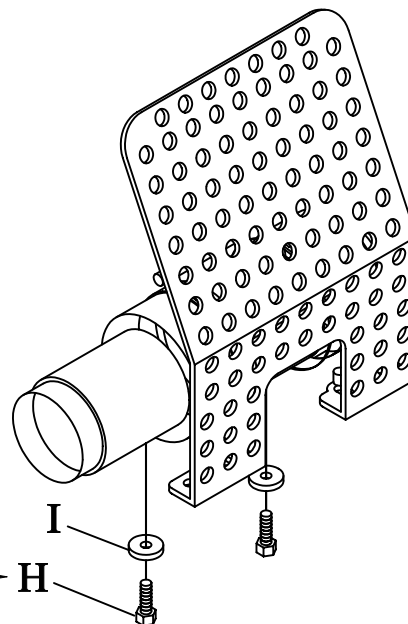
THE REAR OF THE WINCH WILL MOUNT IN THESE HOLES OF THE FRAME. USE THE TWO 5/16 X 1 BOLTS AND 3/16 X 1 ROUND WASHERS.

MAY NEED TO TRIM THIS LIP ON THE HEAD LIGHT POD ONLY CUT THE LEFT SIDE LOOKING AT THE MACHINE. IF THE NEW RT25 WARN IS USED YOU DO NOT NEED TO TRIM THIS.

THIS PLATE DOES TAKE A LITTLE WORK BUT WE FEEL THIS IS THE BEST LOCATION FOR THE WINCH TO MOUNT. THE HIGHER THE WINCH IS THE LESS SUSCEPTIBLE IT IS TO THE WATER. PLUS THE WINCH IS PROTECTED INSIDE THE CAVITY OF THE FRAME.

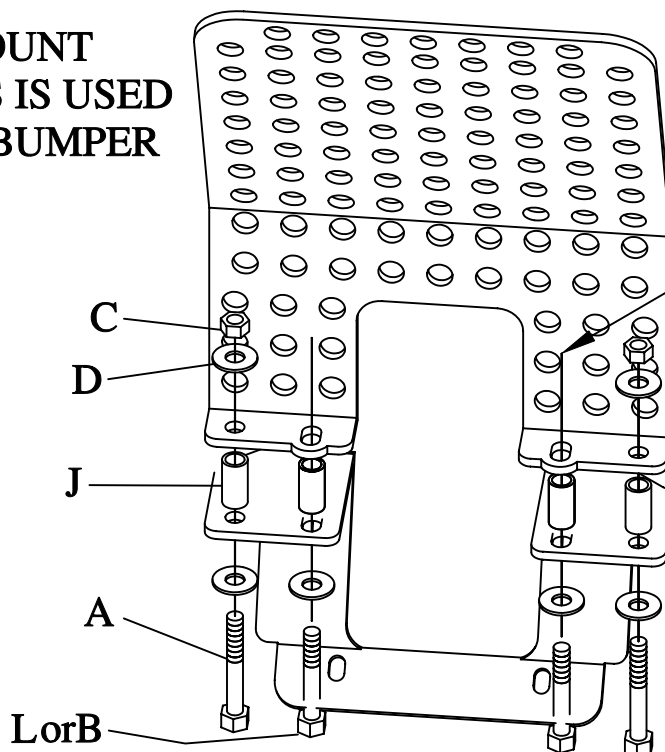
MOUNT THE REAR OF THE WINCH TO THE TWO HOLES THAT ARE ON THE FRAME TAB WERE THE VIN # IS LOCATED.

USE TWO OF THESE 8MM X 1.25 X 20MM BOLTS THESE COME WITH THE WINCH HARDWARE. THESE ARE THE SHORTEST BOLTS IN THE BAG...



THE WINCH BRACKET WILL MOUNT UNDER THE LARGE PLATE THIS IS USED TO SANDWICH ON THE FRONT BUMPER CHANNELS.

THESE BOLTS WILL SCREW INTO THE FRONT OF THE WINCH.



MOUNT THE ROLLER FAIRLEAD TO THE PLATE USING THE BOLTS THAT COME WITH THE FAIRLEAD.

