

- 8=5/16 X 1 BOLTS-A
- 12=5/16 LOCK NUTS-B
- 4= 5/16 USS WASHERS-C
- 16=5/16 SAE WASHERS-D
- 2=5/16X1 U-BOLTS-E
- 1=3/8 X 6 BOLTS-F
- 1=3/8 LOCK NUT-G
- 2=WHITE BUSHINGS(BUSHING-002)
- 2=ZIP TIES (80005K52)
- 1=7/8" DOM ROLLER PIPE 4 13/16" LONG.

IF THE WARN RT25 IS USED MUST USE THE METRIC BOLTS THAT ARE SUPPLIED WITH THE HARDWARE IN THE BAG WITH THE WINCH. THESE BOLTS ARE USED TO MOUNT THE WINCH TO THE PLATE.

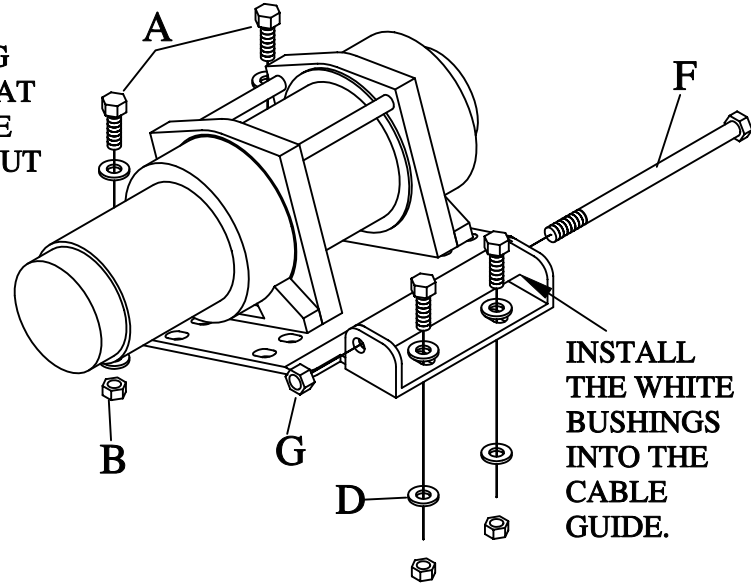


298135-R115

POLARIS RZR 800 4X4

2000-4000 LB WINCHES

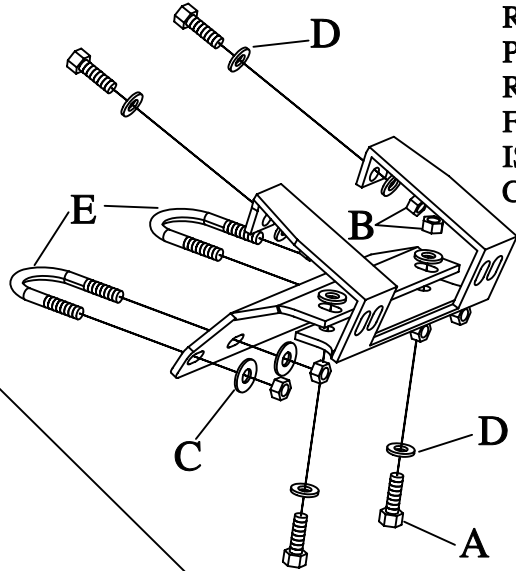
INSTALL THE CABLE GUIDE ONTO THE PLATE THEN INSTALL THE PLATE TO THE FRAME. WHEN INSTALLING THE WINCH ONTO THE PLATE LOOSEN THE CLAMPS THAT HOLD THE HOSES ONTO THE CONNECTION AND ROTATE THE CONNECTION TOWARDS THE WINCH ENOUGH TO PUT THE HOSE ON TOP OF THE WINCH MOTOR. THEN ZIP TIE THE HOSES TO THE FRAME. KEEP ALL HOSES AWAY FROM LEADS ON THE WINCH MOTOR. DO NOT ZIP TIE THE HOSES TO TIGHT. REINSTALL THE CLAMPS ON THE HOSE CONNECTION.



FRONT OF MOTOR
ZIP TIE TO THE
FRAME.

REAR OF MOTOR
ZIP TIE TO THE
FRAME.

INSTALL
THE WHITE
BUSHINGS
INTO THE
CABLE
GUIDE.



REMOVE THE FRONT SCREWS IN THE PLASTIC BUMPER AND INSTALL THE ROLLER FAIRLEAD BRACKET TO THE FRAME. THIS IS EASIER IF THE PLASTIC IS PULLED AWAY FROM THE BIKE FOR CLEARANCE.

