

4=5/16X1 SOCKET HEAD
BOLTS (BLACK)
4=5/16 LOCK NUTS-A
4=5/16 SAE WASHERS-B
4=5/16X3/4 BOLTS-C

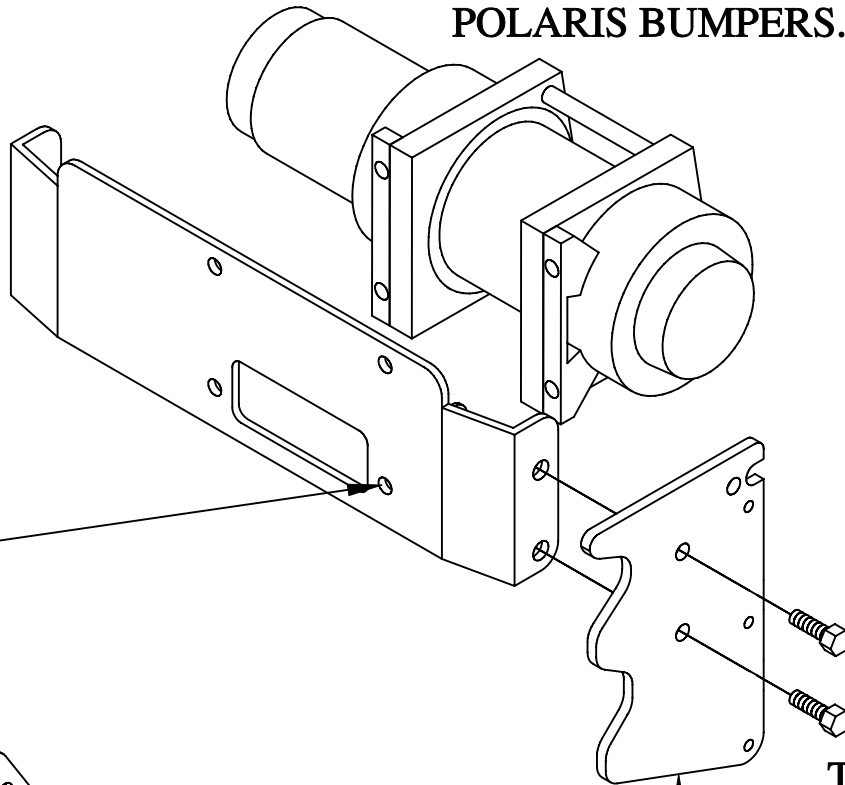
SMI SAVANT
MFG., INC.

TO MOUNT THIS MOUNTING
PLATE AND WINCH TO THE
BUMPER ASSEMBLY, THE
ASSEMBLY MUST BE
REMOVED FORM THE ATV.

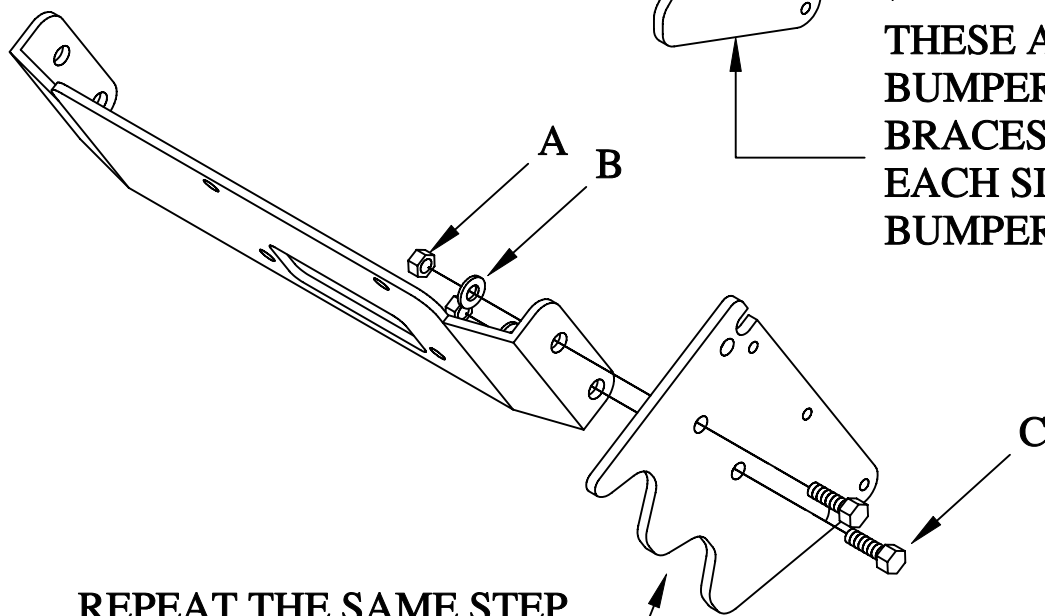
R72

POLARIS REMINGTON EDITION
POLARIS DUCKS UNLIMITED
SUB-PLATE FOR DOUBLE TUBE
POLARIS BUMPERS.

THESE BOLTS
THAT WILL BOLT
THE WINCH ARE
THE 5/16X1 BLACK
SOCKET HEAD
BOLTS.



THESE ARE THE
BUMPER
BRACES ON
EACH SIDE OF
BUMPER.



REPEAT THE SAME STEP
TO OTHER SIDE OF THE
PLATE.